

SILGRANIT®

Double Bowl 50/50 Undermount

LUXART®

Product Specifications

MODELS

LX440184 Double Bowl, 9-1/2" bowl depths, ANTHRACITE
 LX440182 Double Bowl, 9-1/2" bowl depths, CAFÉ BROWN
 LX440185 Double Bowl, 9-1/2" bowl depths, WHITE
 LX440186 Double Bowl, 9-1/2" bowl depths, BISCUIT
 LX440183 Double Bowl, 9-1/2" bowl depths, METALLIC GRAY
 LX441223 Double Bowl, 9-1/2" bowl depths, BISCOTTI
 LX441286 Double Bowl, 9-1/2" bowl depths, TRUFFLE
 LX441470 Double Bowl, 9-1/2" bowl depths, CINDER



Model LX440184 shown in ANTHRACITE
 * basket strainer not included

FEATURES

- Required outside cabinet: 36"
- 80% solid granite
- Heat resistant up to 536°F
- Unsurpassed cleanability backed by industry leading 7 patents!
- Resistant to scratches, stains and all household acids and alkali solutions
- Template provided with approximate 1/8" reveal
- Undermount clips included
- Limited lifetime warranty

OPTIONAL ACCESORIES

- Celcon Disposal Flange with Strainer/Stopper: LX125
- Celcon Basket Strainer: LX105

CODE/STANDARDS COMPLIANCE

ANSI Z124.6-97
 IAPMO/UPC listed

NOMINAL DIMENSIONS

OVERALL	CUTOUT SIZE	BOWL DEPTH		DRAIN DIAMETER
		LEFT	RIGHT	
32"X19-1/4"	Template provided with approximate 1/8" reveal	9-1/2"	9-1/2"	3-1/2"

DFX cutout templates available on our website

All dimensions listed are nominal. Luxart® reserves the right to make product and material changes at any time without notice.

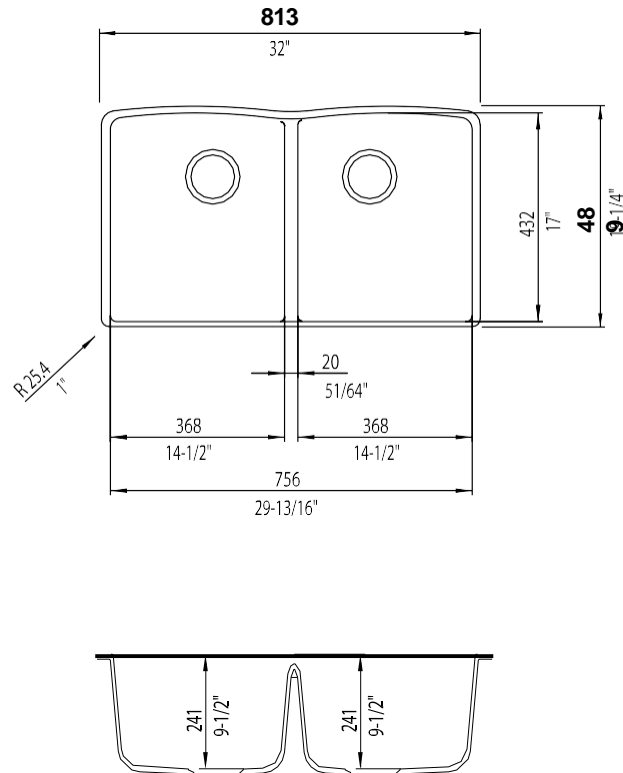


Contact your sales representative for more information or visit our website at luxartcollection.com

SILGRANIT® Double Bowl 50/50 Undermount

LUXART®

Product Specifications



Contact your sales representative for more information or visit our website at luxartcollection.com

Revised 1/25/2019