

Valve Only Trim

Garniture robinet seulement
Pieza exterior para válvula

Product Specifications

LUXART®



APPLICABLE STANDARDS/CODES

Specified model meets or exceeds the following:

NORMES ET CODES APPLICABLES

Le modèle spécifié est conforme aux normes suivantes ou les dépasse:

NORMAS Y ESTÁNDARES APLICABLES

El modelo especificado reúne o sobrepasa las siguientes condiciones

- ASME A112.18.1/CSA B125.1
- IAPMO/cUPC
- ADA

LUXART®
DOWNTOWN®

DT511TLSH-CP
DT511TLSH-BN
DT511TLSH-PN

FEATURES

- Requires 401V Rough-In Valve
- Coordinates with Downtown Suite
- Metal Lever Handle
- Includes: L510TLSH Valve Only Trim, DTTSLH Lever Handle
- 100% Factory Pressure Tested

CARACTÉRISTIQUES

- Valve de robinetterie brute 401V requise
- Coordonné avec l'ensemble Downtown
- Levier en métal
- Inclut: L510TLSH garniture robinet seulement, DTTSLH manette à levier
- Pression vérifiée en usine- 100%

CARACTERÍSTICAS

- Válvula enfoscada 401V requerida
- Coordina con la suite de Downtown
- Manija de metal
- Incluye: L510TLSH pieza exterior para válvula, DTTSLH manija de palanca
- Probado en fábrica bajo presión al 100%

AVAILABLE FINISHES / FINIS OFFERTS / DISTINTOS ACABADOS:

- Polished Chrome / Chrome poli / Cromo lustrado (CP)
- PVD Brushed Nickel / PVD Nickel brossé / PVD Níquel cepillado (BN)
- PVD Polished Nickel / PVD Nickel poli / PVD Níquel lustrado (PN)



Contact your sales representative for more information or visit our website at luxartcollection.com

Valve Only Trim

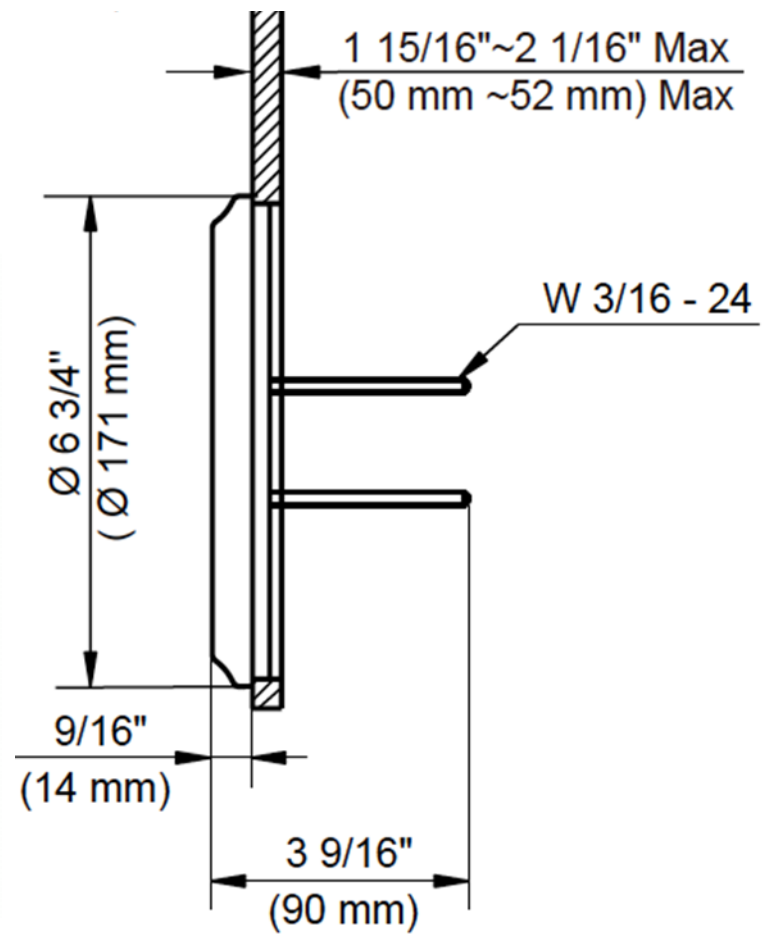
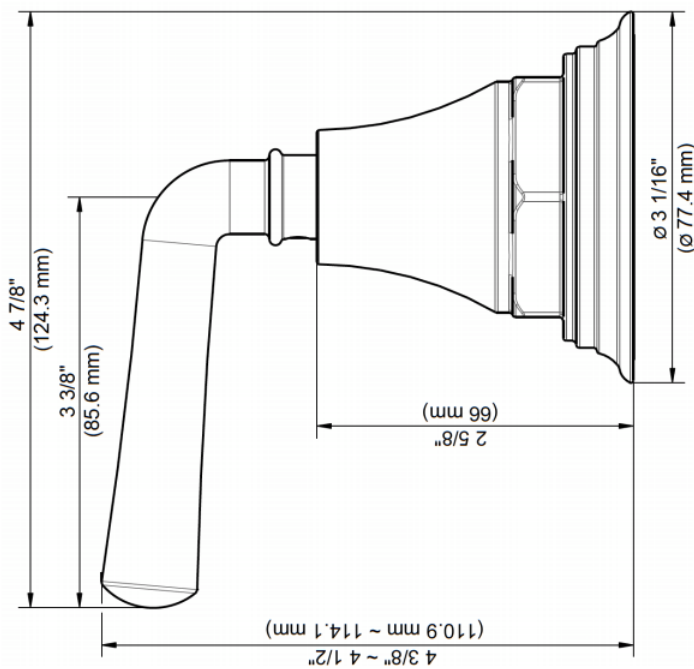
Garniture robinet seulement
Pieza exterior para válvula

Product Specifications

LUXART®

LUXART®
DOWNTOWN®

DT511TLSH-CP
DT511TLSH-BN
DT511TLSH-PN



Contact your sales representative for more information or visit our website at luxartcollection.com