

**For Residential and Commercial Applications**

Job Name		Engineer / Architect	
Job Location		Wholesaler	
Submittal Date		Contractor	

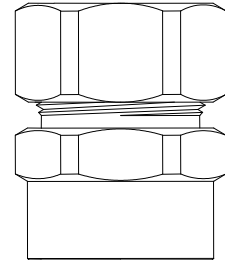
## 66 Series    Compression x Female Iron Pipe Adapters

**Use:** For use with instrumentation, hydraulic and pneumatic systems. Designed for use with aluminum, copper and plastic tubing. Not intended for use with steel tubing

\* Plastic tubing requires a plastic insert and sleeve (see 60PT & 63PT submittal forms for details)

**Design Features:**

- **Little to no tube preparation.** Compression fittings do not require flaring, soldering or other types of tube preparation
- **Available in a broad range of sizes**
- **Compliant fitting options** available for California and Vermont “low-lead” requirements



**Operating Specifications:**

**Temperature:** -65° - 250° F at maximum operating pressures

**Working Pressure:** See chart below

**Vibration:** Fair vibration resistance

WORKING PRESSURE		
PSI	Tube O.D.	Tube Wall (Inches)
400	1/8	0.030
400	3/16	0.030
300	1/4	0.030
300	5/16	0.032
200	3/8	0.032
200	1/2	0.032
150	5/8	0.035
100	3/4	0.035
75	7/8	0.035

**Standard**

MATERIAL SPECIFICATIONS	
<b>Fitting Body</b>	<b>C36000 brass</b>
<b>Compression Sleeve</b>	<b>C36000 brass</b>
<b>Compression Nut</b>	<b>Chrome-plated C36000 brass</b>

**Compliant**

MATERIAL SPECIFICATIONS	
<b>Fitting Body</b>	<b>Compliant brass</b>
<b>Compression Sleeve</b>	<b>C36000 brass</b>
<b>Compression Nut</b>	<b>C36000 brass</b>

**Standard Fitting Part Listing:**

- 66-2-2            1/8" OD Tube x 1/8" F.I.P.
- 66-2-2 B        1/8" OD Tube x 1/8" F.I.P., bulk
- 66-4-4            1/4" OD Tube x 1/4" F.I.P.

*This specification and all information contained herein is the confidential and exclusive property of BrassCraft Manufacturing, and shall not be disclosed to others without the written consent of BrassCraft. This specification must be returned to BrassCraft if requested.*



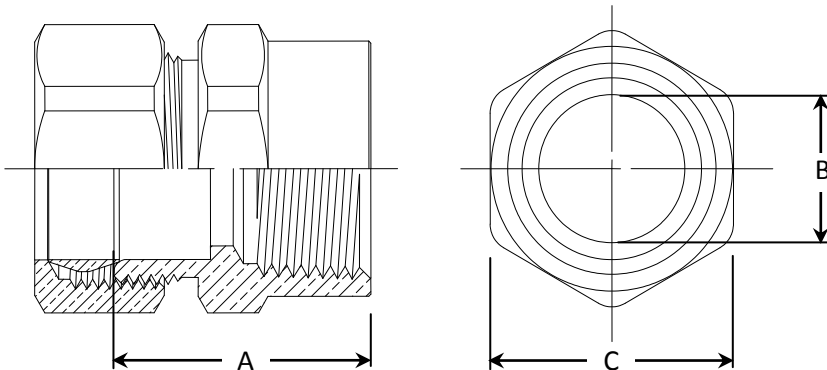
# 66 Series Compression x Female Iron Pipe Adapters

## Standard Fitting Part Listing (con't):

- 66-4-4 B 1/4" OD Tube x 1/4" F.I.P., bulk
- 66-4-4-1 B 1/4" OD Tube x 1/4" F.I.P.- body only, bulk
- 66-6-6 3/8" OD Tube x 3/8" F.I.P.
- 66-6-6 B 3/8" OD Tube x 3/8" F.I.P., bulk
- 66-6-6 C 3/8" OD Tube x 3/8" F.I.P., chrome plated, bulk
- 66-6-6-1 B 3/8" OD Tube x 3/8" F.I.P. - body only, bulk
- 66-8-8 1/2" OD Tube x 1/2" F.I.P.
- 66-8-8 B 1/2" OD Tube x 1/2" F.I.P., bulk
- 66-8-8 C 1/2" OD Tube x 1/2" F.I.P., chrome plated
- 66-8-8-1 B 1/2" OD Tube x 1/2" F.I.P. - body only, bulk
- 66-12-12 3/4" OD Tube x 3/4" F.I.P.
- 66-12-12-1 B 3/4" OD Tube x 3/4" F.I.P. - body only, bulk

## Compliant Part Listing:

- 66-4-4X 1/4" OD Tube x 1/4" F.I.P.
- 66-4-4-1X B 1/4" OD Tube x 1/4" F.I.P.- body only, bulk
- 66-6-6X 3/8" OD Tube x 3/8" F.I.P.
- 66-6-6-1X B 3/8" OD Tube x 3/8" F.I.P. - body only, bulk



## Listings & Certifications:

- Compliant product CSA approved to California Health & Safety Code 116875 and Vermont Bill S.152 (Project # 2174785)



PART DIMENSIONS (Inches)			
Model	DIM. A	DIA. B	HEX. C
66-2-2	0.75	0.091	1/2
66-4-4	0.94	0.187	5/8
66-6-6	0.91	0.312	3/4
66-8-8	1.00	0.437	7/8
66-12-12	1.45	0.75	1-1/4

This specification and all information contained herein is the confidential and exclusive property of BrassCraft Manufacturing, and shall not be disclosed to others without the written consent of BrassCraft. This specification must be returned to BrassCraft if requested.

**BrassCraft**®