

# Plastic Premium Elongated Toilet Seat

## Product Specifications

### Description

Closed front with cover, round, injection molded solid plastic toilet seat. Features four molded-in bumpers, color-matched Whisper•Close® with easy release hinges with non-corrosive, top-tightening bolts and wing nuts.

### Model: LX1200SLW

Specifications	
Size:	Elongated
Weight:	4.2 lbs
Color:	White (000), Biscuit (346)
Material:	Plastic
Style:	Closed Front with Cover
Bumpers:	Four
Hinges:	Plastic Whisper•Close® with Easy Release
Fastening System:	Non-Corrosive Bolts and Wing Nuts



WHISPER•CLOSE®  
FEATURE



PLASTIC EASY  
RELEASE HINGES



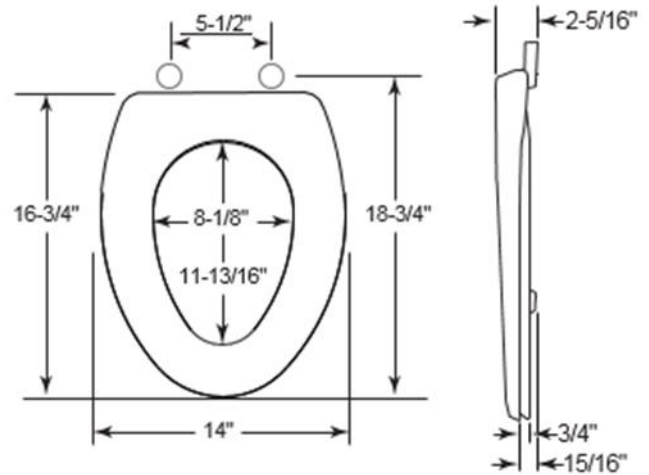
TWIST HINGES  
TO UNLOCK



EASY REMOVAL OF  
SEAT FOR  
THOROUGH  
CLEANING



NON-CORROSIVE  
BOLTS AND WING  
NUTS



### Warranty

See warranty information for more details.

All dimensions listed are nominal. Luxart® reserves the right to make product and material changes at any time without notice.



Complies with  
IAPMO/ANSI Z124.5  
Performance Standards  
Residential



Contact your sales representative for more information or visit our website at [luxartcollection.com](http://luxartcollection.com)