

Registers & Grilles—Steel

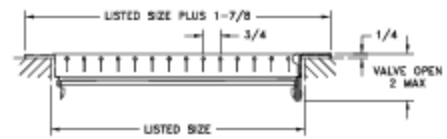


821

- All-steel construction
- Vertical adjustable face bars
- Horizontal multi-shutter valve
- Bright White finish

821 Available Sizes (in.)											
HT	WIDTH										
	6	8	10	12	14	16	18	20	24	30	36
4	X	X	X	X	X	X	X	X	X	X	X
5			X	X	X						
6	X	X	X	X	X	X	X	X	X	X	X
8		X	X	X	X	X	X	X	X	X	X
10			X	X	X	X	X	X	X	X	X
12				X	X	X	X	X	X	X	X
14					X	X	X	X	X	X	X
16						X	X	X	X	X	
18							X	X	X	X	
20								X			
24									X		

Note: Screw hole location details on page 156



831

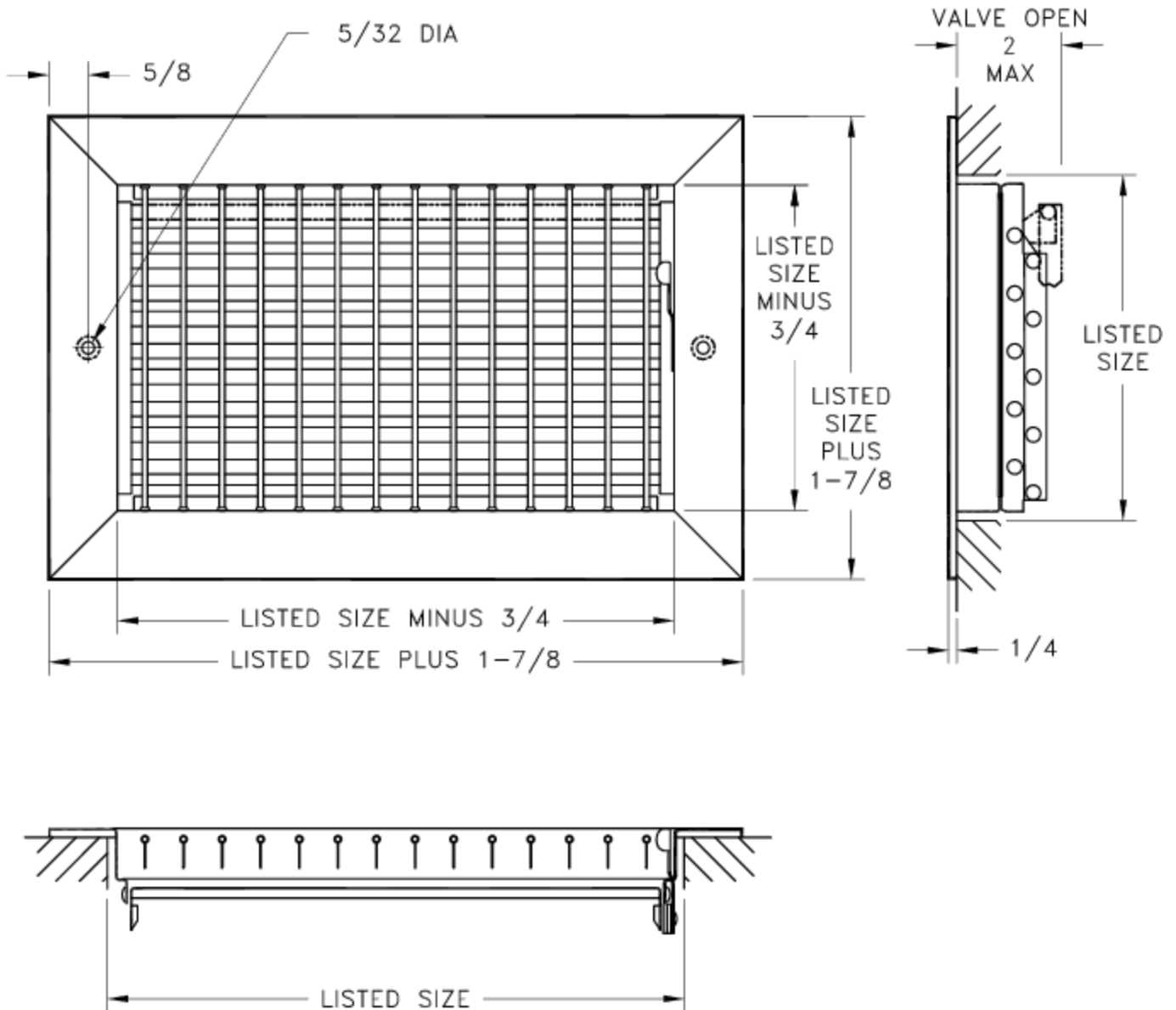
- All-steel construction
- Horizontal adjustable face bars
- Vertical valve
- Adjustable multi-shutter valve
- Bright White finish

831 Available Sizes (in.)										
HT	WIDTH									
	8	10	12	14	16	20	24	30	32	36
4	X	X	X	X						
6	X	X	X	X	X	X	X	X		
8		X	X	X	X	X	X	X		
10			X			X	X			
12							X			X
14							X		X	

Note: Screw hole location details on page 156



- ALL STEEL CONSTRUCTION
- ADJUSTABLE BARS ON 3/4 INCH CENTERS
- ADJUSTABLE MULTI-SHUTTER VALVE
- MINIMUM SIZE: 6 X 4
- MAXIMUM SIZE: 48 X 36 } ONE PIECE CONSTRUCTION
- FINISH: WHITE (W) ENAMEL



JOB NAME: _____	SUBMITTED BY: _____	DATE: 1/3/01	SD-9000
LOCATION: _____		821 Steel Register Adjustable Vertical Face Bars Multi-Shutter Damper	
ARCHITECT: _____			
ENGINEER: _____			
CONTRACTOR: _____			