

## Sink Bottom Grid

### Product Specifications

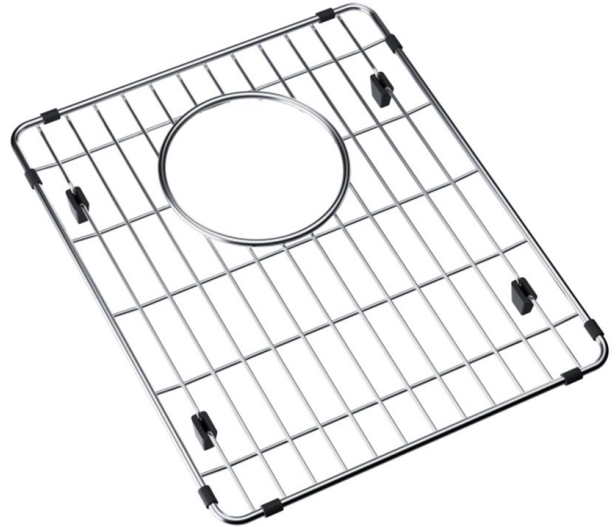
#### Features

- Custom designed to protect and cover the bottom of your sink
- Properly positioned opening for convenient access to drain or disposer
- Built from solid stainless steel to resist corrosion and provide years of service

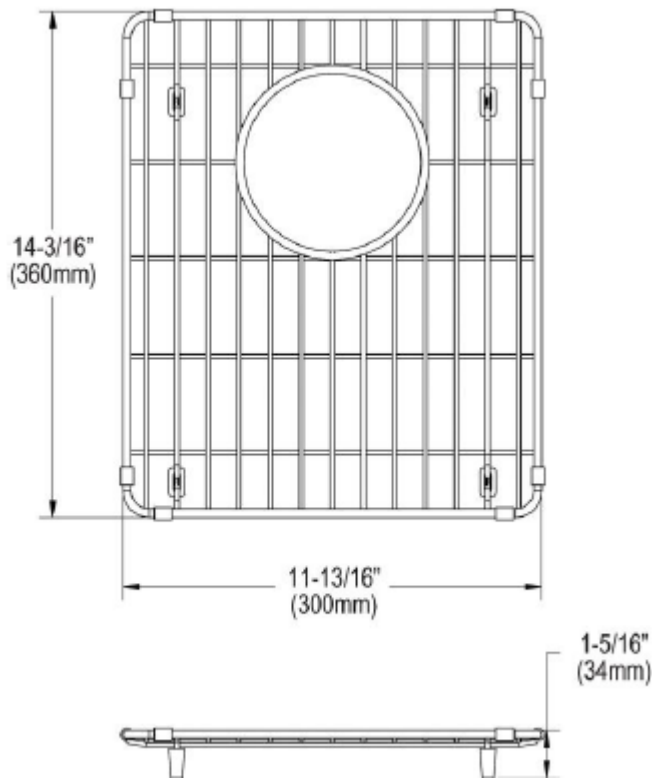
**Overall Size:** 11-13/16" x 14-3/16" x 1-5/16"

**Drain Placement:** Center Rear

**Material:** Stainless Steel



**LXOBG1315SS**



All dimensions listed are nominal. Luxart® reserves the right to make product and material changes at any time without notice.

Contact your sales representative for more information or visit our website at [luxartcollection.com](http://luxartcollection.com)