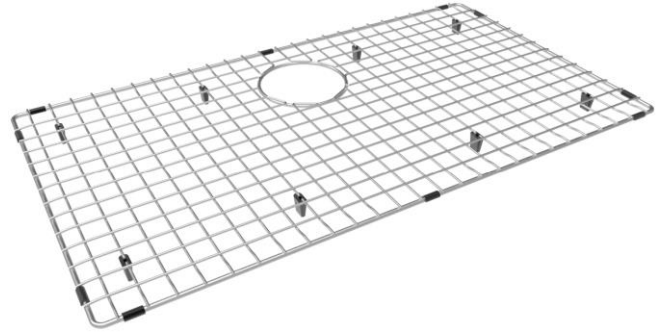


Sink Bottom Grid

Product Specifications

Features

- Custom designed to protect and cover the bottom of your sink
- Properly positioned opening for convenient access to drain or disposer
- Built from solid stainless steel to resist corrosion and provide years of service

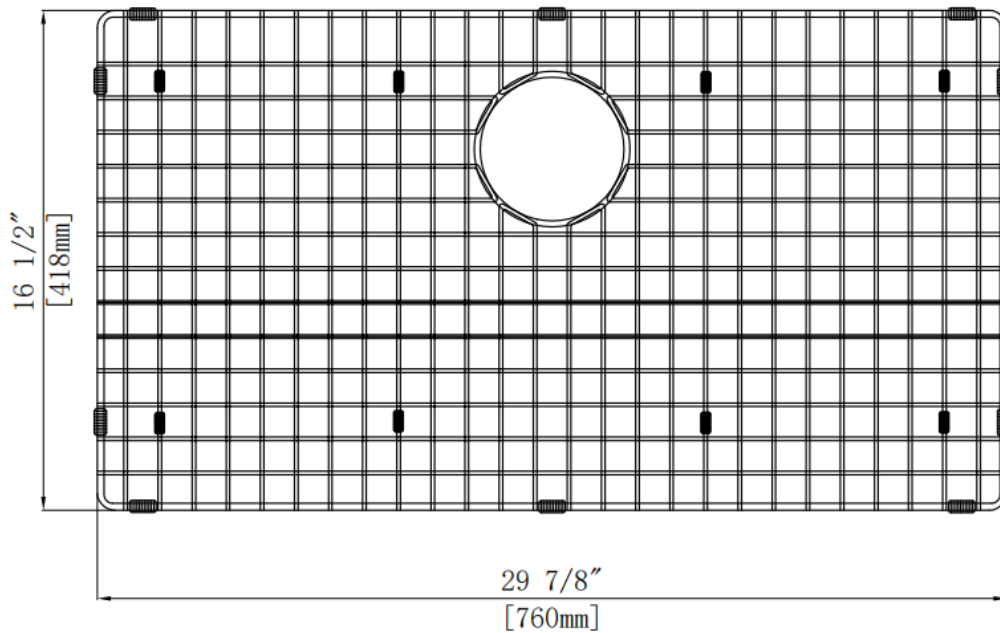


Overall Size: 29-7/8" x 16-1/2" x 1"

Drain Placement: Center Rear

Material: Stainless Steel

LXNZS3322DM1BG



All dimensions listed are nominal. Luxart® reserves the right to make product and material changes at any time without notice.

Contact your sales representative for more information or visit our website at luxartcollection.com