

For Residential and Commercial Applications

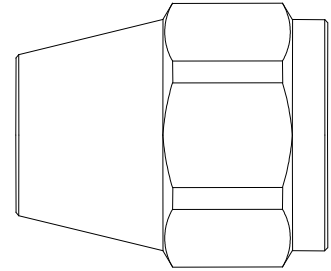
| | | | |
|----------------|--|----------------------|--|
| Job Name | | Engineer / Architect | |
| Job Location | | Wholesaler | |
| Submittal Date | | Contractor | |

41S Series 45° Flare Nuts - Short

Use: For use with fuel, oil, liquefied petroleum (LP), and natural gas lines. Designed for use with aluminum, copper, brass, and welded steel tubing that can be flared.

Design Features:

- **Recommended for higher pressures** than those covered by compression fittings
- **Resist mechanical pull out**
- **Available in a broad range of sizes**



Operating Specifications:

- Temperature:** -65° - 250° F at maximum operating pressures
- Working Pressure:** See chart below
- Vibration:** Good vibration resistance*



*Recommend long flare nuts when greater vibration resistance is required

| MAXIMUM WORKING PRESSURES | | | | | | | | | | | |
|---------------------------|---------|--|-------|-------|-------|-------|-------------------------------|-------|-------|-------|-------|
| Service Conditions | Tube OD | Type of Tubing and Wall Thickness (Inches) | | | | | | | | | |
| | | Copper – Dead Soft (Seamless) | | | | | Copper – Half Hard (Seamless) | | | | |
| | | .030" | .032" | .035" | .049" | .065" | .032" | .035" | .042" | .049" | .065" |
| Safety Factor 4-1 | 1/8 | 4300 | | 5000 | | | 5000 | | | | |
| | 3/16 | 2850 | | 3300 | | | 3400 | | | | |
| | 1/4 | 2100 | 2250 | 2500 | | | 2500 | | | | |
| | 5/16 | | 1800 | 2000 | | | 2000 | | | | |
| | 3/8 | | 1500 | 1650 | | | 1700 | 1850 | | | |
| | 1/2 | | 1100 | 1250 | | 2000 | 1250 | 1400 | | | 2600 |
| | 5/8 | | | 1000 | 1400 | 1800 | 1000 | | | 1500 | 2000 |
| | 3/4 | | | 850 | 1150 | 1500 | | | 1100 | | 1700 |
| | 7/8 | | | | | | | | | 1100 | 1500 |
| Safety Factor 6-1 | 1/8 | 2800 | | 3350 | | | 3400 | | | | |
| | 3/16 | 1900 | | 2200 | | | 2250 | | | | |
| | 1/4 | 1430 | 1500 | 1650 | | | 1700 | | | | |
| | 5/16 | | 1200 | 1300 | | | 1350 | | | | |
| | 3/8 | | 100 | 1100 | | | 1100 | 1200 | | | |
| | 1/2 | | 750 | 825 | | 1550 | 850 | 925 | | | 1750 |
| | 5/8 | | | 650 | 930 | 1200 | 675 | | | 1000 | 1350 |
| | 3/4 | | | 550 | 775 | 1000 | | | 725 | | 1100 |
| | 7/8 | | | | | | | | | 750 | 1000 |

This specification and all information contained herein is the confidential and exclusive property of BrassCraft Manufacturing, and shall not be disclosed to others without the written consent of BrassCraft Mfg. This specification must be returned to BrassCraft Mfg if requested.



41S Series 45° Flare Nuts - Short

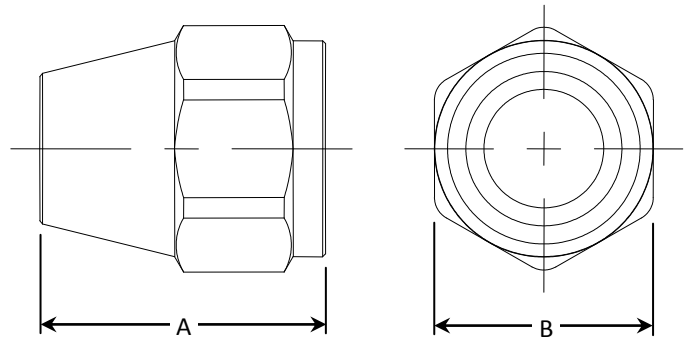
| MATERIAL SPECIFICATIONS | |
|-------------------------|-------|
| Flare Nut | Brass |

| PART DIMENSIONS (Inches) | | | |
|--------------------------|------------------|--------|--------|
| Model | Straight Threads | DIM. A | HEX. B |
| 41S-2 | 5/16-24 | .50 | 3/8 |
| 41S-3 | 3/8-24 | .62 | 7/16 |
| 41S-4 | 7/16-20 | .75 | 9/16 |
| 41S-5 | 1/2-20 | .88 | 5/8 |
| 41S-6 | 5/8-18 | .80 | 23/32 |
| 41S-6X | 5/8-18 | 1.00 | 3/4 |

| PART DIMENSIONS (Inches) | | | |
|--------------------------|------------------|--------|--------|
| Model | Straight Threads | DIM. A | HEX. B |
| 41S-7 | 11/16-16 | 1.06 | 13/16 |
| 41S-8 | 3/4-16 | 1.00 | 7/8 |
| 41S-8X | 3/4-16 | 1.12 | 7/8 |
| 41S-10 | 7/8-14 | 1.12 | 1 |
| 41S-12 | 1-1/16-14 | 1.50 | 1-1/4 |
| 41S-14 | 1-1/4-12 | 1.62 | 1-1/2 |

Part Listing:

- 41S-2 For 1/8" OD tube
- 41S-2 B For 1/8" OD tube, bulk
- 41S-3 For 3/16" OD tube
- 41S-3 B For 3/16" OD tube, bulk
- 41S-4 For 1/4" OD tube
- 41S-4 B For 1/4" OD tube, bulk
- 41S-5 For 5/16" OD tube
- 41S-5 B For 5/16" OD tube, bulk
- 41S-6 For 3/8" OD tube
- 41S-6 B For 3/8" OD tube, bulk
- 41S-6X For 3/8" OD tube, heavy pattern
- 41S-7 For 7/16" OD tube
- 41S-8 For 1/2" OD tube
- 41S-8 B For 1/2" OD tube, bulk
- 41S-8-H B For 1/2" OD tube, non-annealed, bulk
- 41S-8X For 1/2" OD tube, heavy pattern
- 41S-10 For 5/8" OD tube
- 41S-10 B For 5/8" OD tube, bulk
- 41S-12 For 3/4" OD tube
- 41S-12 B For 3/4" OD tube, bulk
- 41S-14 For 7/8" OD tube
- 41S-14 B For 7/8" OD tube, bulk



This specification and all information contained herein is the confidential and exclusive property of BrassCraft Manufacturing, and shall not be disclosed to others without the written consent of BrassCraft Mfg. This specification must be returned to BrassCraft Mfg if requested.

