

# Luxart® VitaBella

**Free Standing  
Bathtubs**

## Installation Instructions



Installation instructions for qualified fitters. After the installation, please pass these instructions to the end-user. In case of a claim, the installation and disassembly costs shall not be covered by the warranty. The warranty shall be valid provided that the product has been installed in accordance with these instructions.

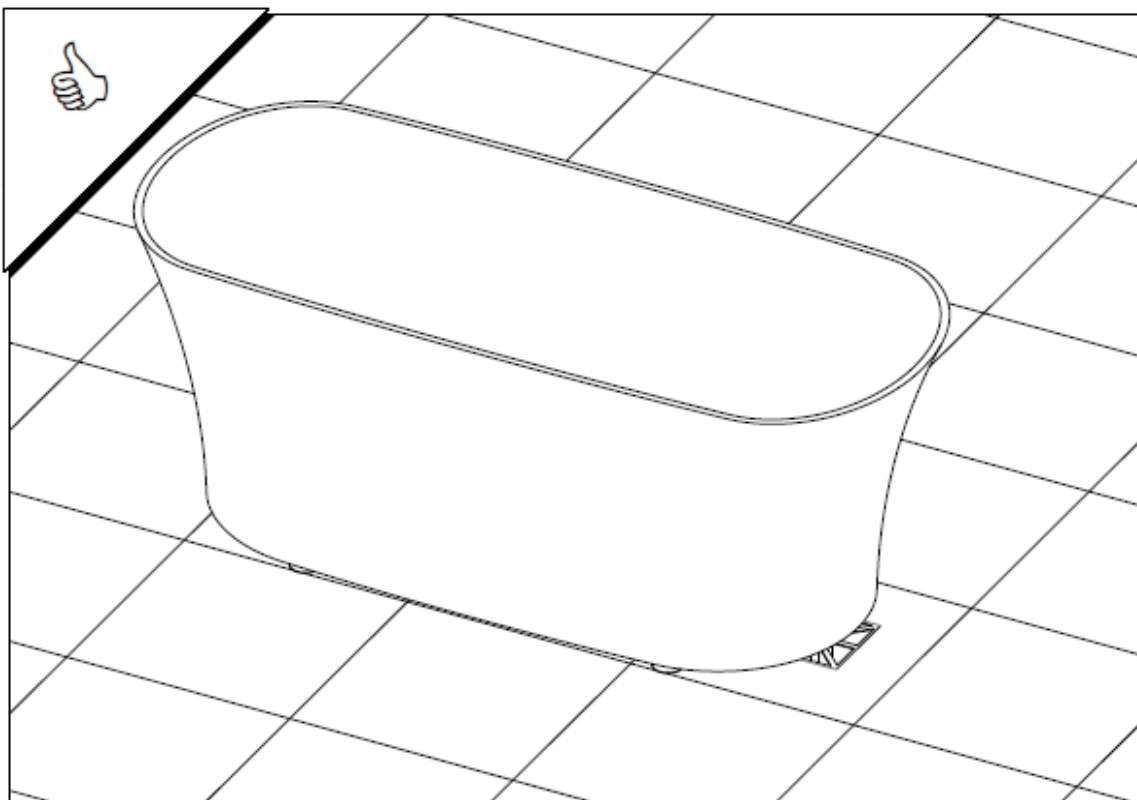
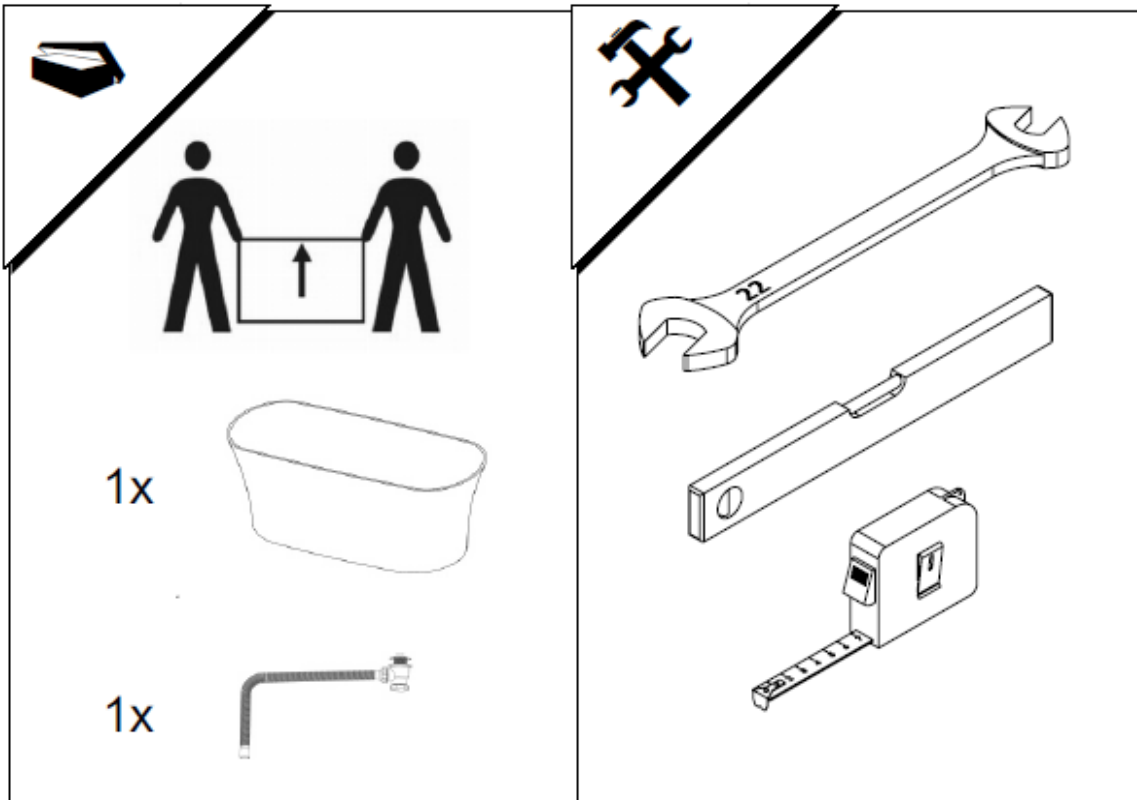


Revised 2/1/2021

# Luxart® VitaBella

## Installation Instructions

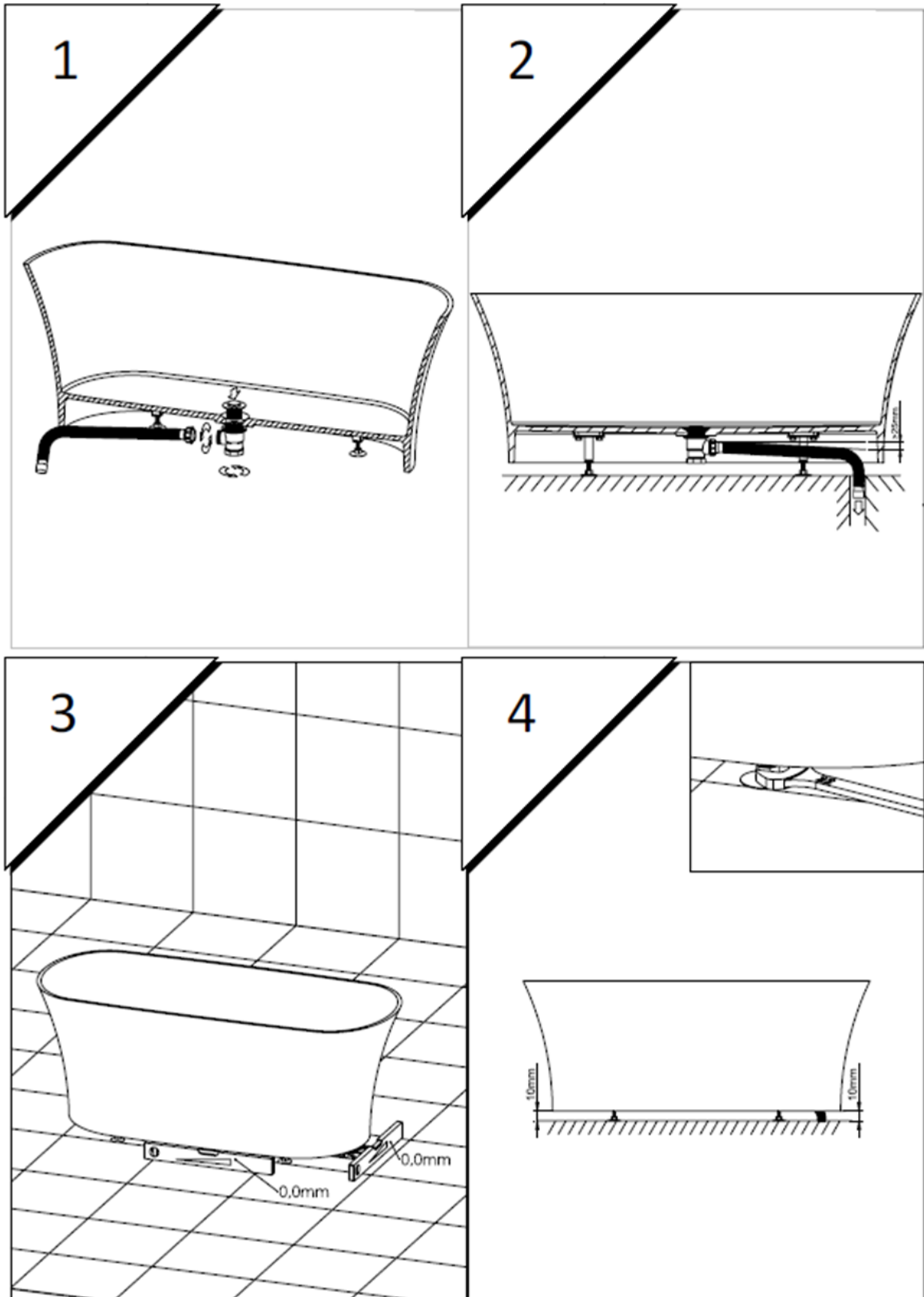
## Free Standing Bathtubs



# Luxart® VitaBella

## Installation Instructions

## Free Standing Bathtubs



## **Installation Instructions**

### **Care & Cleaning Guidelines**

The surface of all our products is among the highest quality surfaces available, made of Mineral Composite. With normal use, the surface will retain its beauty with only a minimal amount of care.

#### **ABOUT THE MINERAL COMPOSITE**

Every Mineral Composite product has a minimum dolomite content of 75%. It's external surface is covered with nanocoat.

The material fully utilizes the properties of dolomite stone, while being reinforced with a flexible resin binder to ensure resistance under load, damage from impact and the effects of high and low temperatures.

Products made from Mineral Composite maintain an optimal temperature for a long time. They are always warm to the touch and provide unprecedented comfort in the bathroom. Due to the inherent strength of the nanocoat surface products are always pleasant to the touch and have a smooth finish. Mineral Composite's insusceptibility to bacterial growth, absorption of water and chemical substances, ensure a long lasting quality and ease of care.

For standard cleaning, we recommend using widely available non-abrasive cleaning products.

**NOTE: TO MAINTAIN THE BEAUTY OF THE PRODUCT SURFACE AND AVOID UNWANTED STAINS (HAIR DYE, INK, LIPSTICK AND OTHER COLOURING MATTER) WE STRONGLY RECCOMEND THE IMMEDIATE REMOVAL OF DIRT. THE TEMPERATURE OF THE WATERSHOULD NEVER EXCEED 70° C FOR A WASHBASIN AND 75° C FOR A BATH OR AND SHOWER TRAY.**

**AVOID ANY BATH CLEANING PRODUCTS THAT CONTAIN NATURAL OR ARTIFICIAL DYES, TEST PRODUCT ON AN INCONSPICUOUS AREA BEFORE USING.**

**IMPROPER USE MAY DAMAGE PRODUCTS AND INVALIDATE THE WARRANTY.**

#### **RECOMMENDATION FOR GLOSS FINISHES**

1. For regular cleaning use of universal cleaning agents with nonabrasive properties, or any mild dish soap and water or product specifically made for gloss surfaces.
2. After each use the inner surface must be rinsed with water and cleaned with a cotton cloth.
3. In order to maintain the product aesthetics we recommend using wax once per month.
4. Stronger dirt (grease, mildew, oil, paint or ink stains) must be treated with warm water and gentle cleaning agents or a soap solution with water.
5. Never use any abrasive cleaners. If any product feels gritty when rubbed between your fingers then it is not safe to use on your gloss product.
6. Small scratches can be removed by using a polishing paste.
7. Scratches on the surface may be treated with abrasive paper soaked in water. First try a 1500 grit paper, then if needed try a 3000 grit paper. Afterwards, the surface may be polished with a fine grained polishing paste (for painted surface).
8. Limescale may be treated with a solution of water and vinegar.

#### **RECOMMENDATION FOR MATT FINISHES**

1. For regular cleaning use a universal cleaning agent with nonabrasive properties, or any mild dish soap and water.
2. After each use the inner surface must be rinsed with water and cleaned with a cotton cloth.
3. For more stubborn stains (grease, mildew, oil, paint or ink stains), use a mild abrasive cleaner. It may take a little more scrubbing to actually remove marks. **NOTE: PLEASE BE CAREFUL WITH ALL PRODUCTS CONTAINING ABRASIVES.**
4. In order to maintain the aesthetics of a product it is recommended to use skin care oil once per month.
5. Stronger dirt must be treated with warm water, with gentle cleaning agents or a soap solution with water.
6. Scratches on the surface may be treated with a rough sponge and then maintained with oil. Limescale may be treated with a solution of water and vinegar.

#### **SCRATCHED OR DAMAGED SURFACES**

To repair scratched or damaged surfaces please see point 7 or use our dedicated **REPAIR KIT**.

