

MultiBox™, Washing Machine Outlet Box System with Quarter Turn Valves



Product Specifications

Product Features:

- Furnish and install single MultiBox™ Washing Machine Outlet Box
- Unit shall be MAINLINE® product code checked below, as manufactured by IPS Corporation

Box/Frame Material:

- PVC



Valve:

- Qtr. Turn Valves with Sweat, CPVC, PEX or Wirsbo connection as checked below
- Valves comply with ASME A112.18.1/CSA B125.1-05

Available Accessories:

- 3 Universal Faceplates: Open, Solid and Louvered Stabilizer Bar

Certifications:

- Box 
- Valves 



| To Submit | Product Code # | Product Description | Model # | Units/Case |
|-----------|----------------|---|-----------|------------|
| | ML82894 | WMOB, Qtr-turn Valves, 1/2" Sweat Connection, CP | MBS1200CP | 10 |
| | ML82895 | WMOB, Qtr-turn Valves, 1/2" CPVC Connection, CP | MBS1201CP | 10 |
| | ML82896 | WMOB, Qtr-turn Valves, 1/2" PEX Connection, CP | MBS1202CP | 10 |
| | ML82897 | WMOB, Qtr-turn Valves, 1/2" Wirsbo Connection, CP | MBS1211CP | 10 |

Warranty

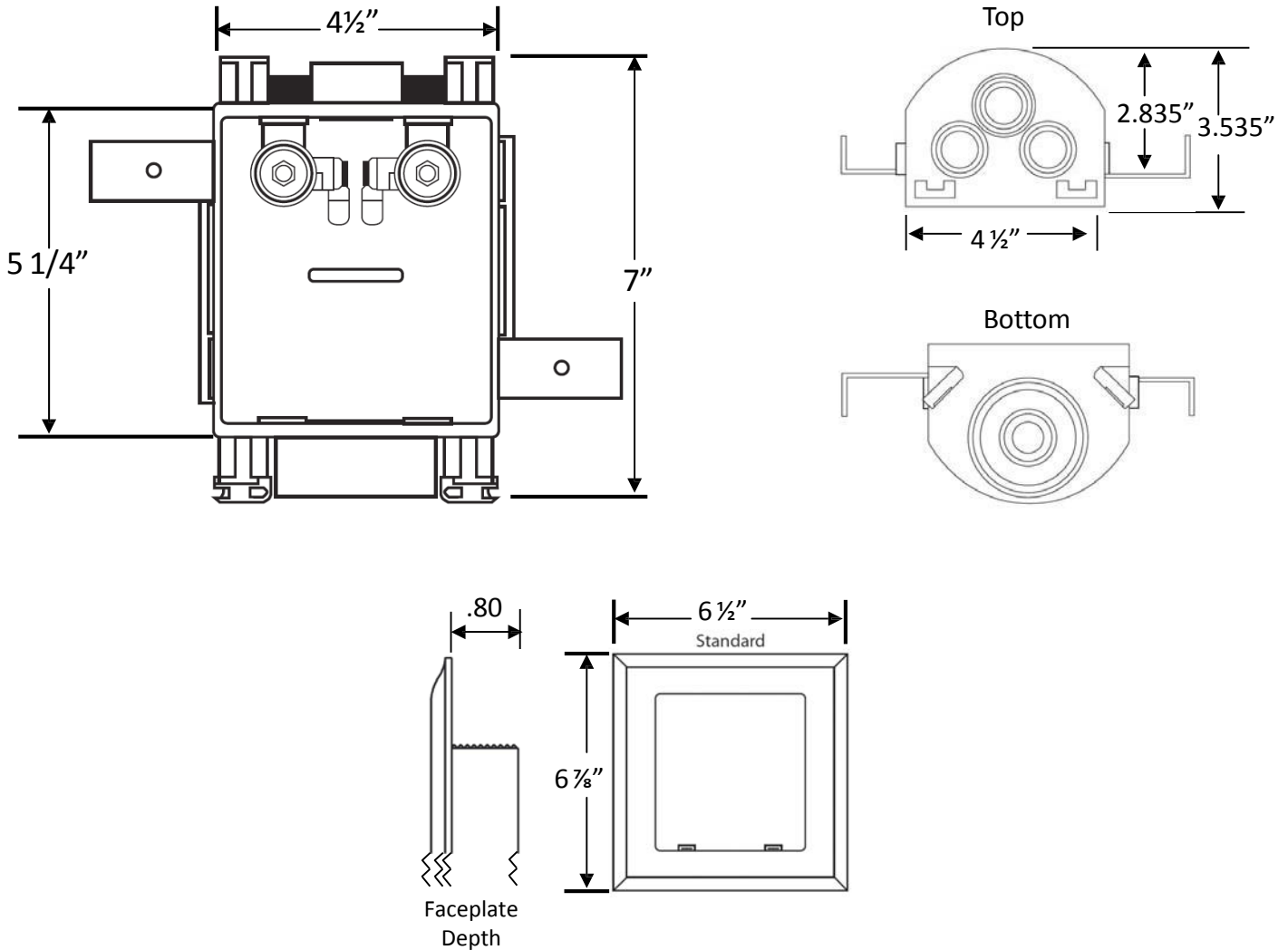
See warranty information for more details.

All dimensions listed are nominal. MAINLINE® reserves the right to make product and material changes at any time without notice.

Contact your sales representative for more information or visit our website at mainlinecollection.com

MultiBox™, Washing Machine Outlet Box System with Quarter Turn Valves

Product Specifications



Warranty

See warranty information for more details.

All dimensions listed are nominal. MAINLINE® reserves the right to make product and material changes at any time without notice.

Contact your sales representative for more information or visit our website at mainlinecollection.com