

# Outdoor Unit – Multi-Zone System Component– 16-22 SEER Models

## Product Specifications



**MAINLINE**

Reliably Comfortable.®

For the ultimate in comfort and flexibility, Mainline® offers multi zone ductless heating & cooling equipment capable of conditioning up to 5 distinct zones of a home or light commercial structure. Several types of indoor units can be installed with this outdoor unit: Wall mounted, ducted, console, floor/ceiling & cassette type indoor units are available for any application. H4/H3 Suffix models can operate in heating mode to -5° ambient temperatures, while the H5 suffix models can operate as low as -31°. Follow installation manual regarding piping & proper indoor unit selection. 208/230 volt – Single phase only.



## FEATURES

- Over load protection
- Over-current protection
- Anti freeze protection
- Multiple zones, multiple indoor unit choices
- Compressor crank case heater and pan heater allowing heating operation down to -31° \*
- High and low pressure protection features for system protection
- Intelligent pre-heating / defrost eliminates unnecessary defrost cycles & prevents cold airflow at startup
- 80% Heating capacity at -22° F \*

\* H5 Models only



## Warranty

See warranty information for more details.

All dimensions listed are nominal. MAINLINE® reserves the right to make product and material changes at any time without notice.

Available Models	
-5° Ambient	-31° Ambient
BBM18H4-O	TM18H5-O
BBM24H4-O	TM24H5-O
BBM30H4-O	TM36H5-O
BBM36H4-O	TM42H5-O
BBM42H3-O	

Model Number Nomenclature	
BB/TM	Mainline/Tosot
M	Multi Zone
18/24/30/36/42	Nominal BTUH
H3/H4/H5	Ambient Operation
-O	Outdoor Unit

BB Suffix = Mainline Branded Product

TM Suffix = Tosot Branded Product



Contact your sales representative for more information or visit our website at [hvacmainline.com](http://hvacmainline.com)

# Outdoor Unit – Multi-Zone System Component– 16-22 SEER Models

Product Specifications



**MAINLINE**

Reliably Comfortable.®

## TECHNICAL SPECIFICATIONS

Outdoor Unit No.	Zones	Operating Range Clg	Operating Range Htg	Clg. Cap. BTUH	Htg. Cap. BTUH	SEER Non Ducted	SEER Ducted	EER	HSPF	COP	Voltage
BBM18H4-O	1-2	0 - 118°	-5 – 75°	7000-21000	8500-22600	22	16	12.5	11	3.66	208/230-1
BBM24H4-O	2-3	0 - 118°	-5 – 75°	7500-33000	7500-27978	21	16	12.5	10.5	3.72	208/230-1
BBM30H4-O	2-4	0 - 118°	-5 – 75°	8200-33400	8188-32414	21	16	12.5	10.5	3.74	208/230-1
BBM36H4-O	2-5	0 - 118°	-5 – 75°	8900-35800	8871-44356	21	16	12.5	10.5	3.7	208/230-1
BBM42H3-O	2-5	0 - 118°	-5 – 75°	8900-40900	8871-46062	21	14.7	10.4	10.2	3.6	208/230-1
TM18H5-O	1-2	0-118°	-31 – 75°	7000-21000	8500-22600	21	16	12.5	10.5	3.6	208/230-1
TM24H5-O	2-3	0-118°	-31 – 75°	7500-33000	7500-27978	21	16	12.5	10.5	3.6	208/230-1
TM36H5-O	2-4	0-118°	-31 – 75°	8900-35800	8871-44356	21	16	9	10	3.2	208/230-1
TM42H5-O	2-5	0-118°	-31 – 75°	8900-40900	8871-46062	21	14.7	9	10	3.4	208/230-1

Outdoor Unit No.	Liq. Conn. (Flare)	Suct. Conn. (Flare)	Fact. Refrig. Charge	Max. Total Piping	Max. Length Per Zone	Fact. Charge Length	Add'l Charge Oz./Ft.
BBM18H4-O	¼" (2)	3/8" (2)	3.5 Lbs.	65.6'	32.8'	32.8'	.2
BBM24H4-O	¼" (3)	3/8" (3)	4.8 Lbs.	196.8'	65.6'	98.4'	.2
BBM30H4-O	¼" (4)	3/8" (4)	6.2 Lbs.	229.6'	82'	131.2'	.2
BBM36H4-O	¼" (5)	3/8" (5)	8 Lbs.	246'	82'	131.2'	.2
BBM42H3-O	¼" (5)	3/8" (5)	8 Lbs.	246'	82'	131.2'	.2
TM18H5-O	¼" (2)	3/8" (2)	3.5 Lbs.	65.6'	32.8'	32.8'	.2
TM24H5-O	¼" (3)	3/8" (3)	4.8 Lbs.	196.8'	65.6'	98.4'	.2
TM36H5-O	¼" (4)	3/8" (4)	8 Lbs.	246'	82'	131.2'	.2
TM42H5-O	¼" (5)	3/8" (5)	8 Lbs.	246'	82'	131.2'	.2

Outdoor Unit No.	Max. Elevation ODU to Highest IDU	Max. Elevation IDU to IDU	MOP	MCA	ODU Sound Level	Weight
BBM18H4-O	32.8'	32.8'	25	16	56 DB	115 Lbs.
BBM24H4-O	32.8'	32.8'	30	23	59 DB	153 Lbs.
BBM30H4-O	49.2'	24.6'	30	20	59 DB	154 Lbs.
BBM36H4-O	49.2'	24.6'	35	23	61 DB	198 Lbs.
BBM42H3-O	49.2'	24.6"	40	24	61 DB	198 Lbs.
TM18H5-O	32.8'	32.8'	35	22	58 DB	115 Lbs.
TM24H5-O	32.8'	32.8'	40	30	60 DB	153 Lbs.
TM36H5-O	49.2'	24.6'	60	36	62 DB	198 Lbs.
TM42H5-O	49.2'	24.6"	60	38	62 DB	198 Lbs.

SEER=Seasonal Energy Efficiency Ratio  
 EER=Energy Efficiency Ratio  
 HSPF=Heating Season Performance Factor  
 COP=Coefficient of Performance  
 MOP = Maximum Overcurrent Protection  
 MCA = Minimum Circuit Ampacity



Contact your sales representative for more information or visit our website at [hvacmainline.com](http://hvacmainline.com)

# Outdoor Unit – Multi-Zone System Component– 16-22 SEER Models

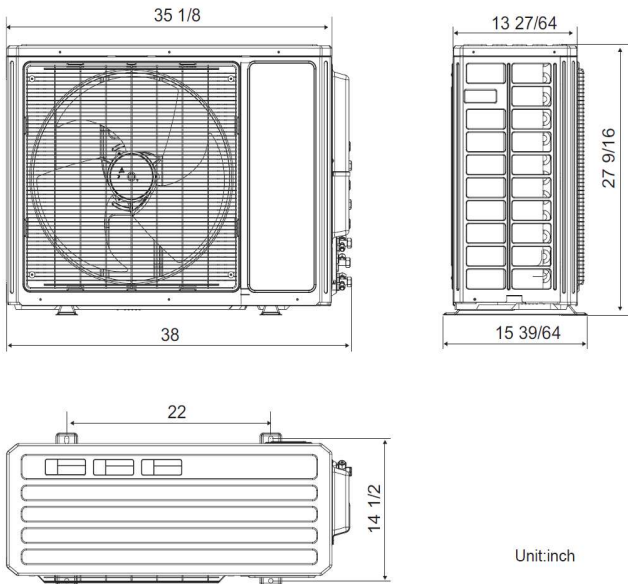
Product Specifications



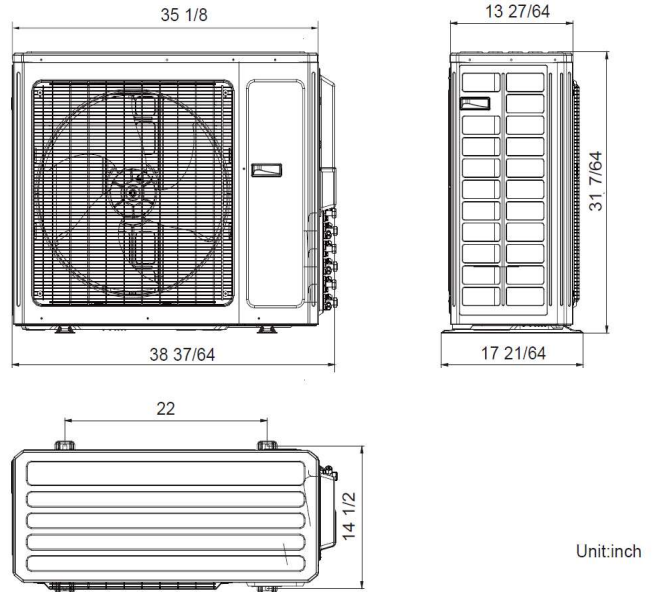
**MAINLINE**

Reliably Comfortable.®

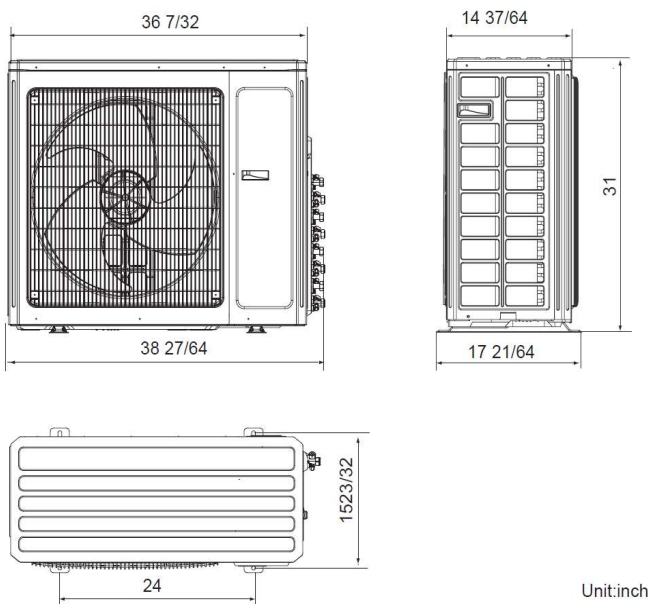
## 18K Model



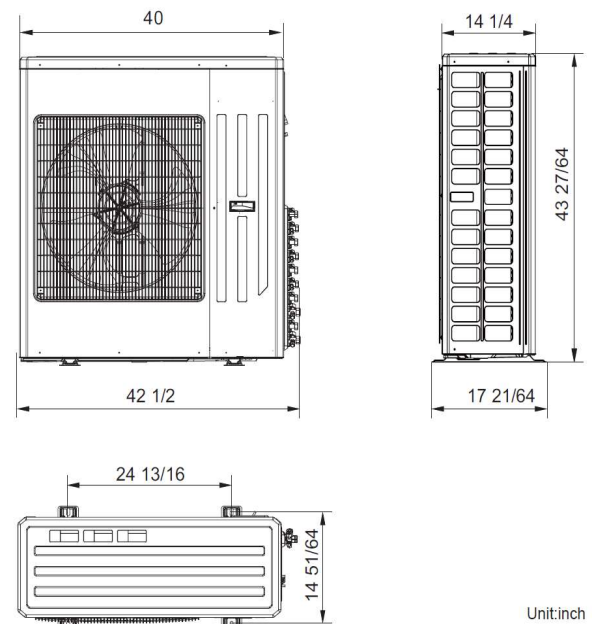
## 24K Model



## 30K Model



## 36K Model



Contact your sales representative for more information or visit our website at [hvacmainline.com](http://hvacmainline.com)

# Outdoor Unit – Multi-Zone System Component– 16-22 SEER Models

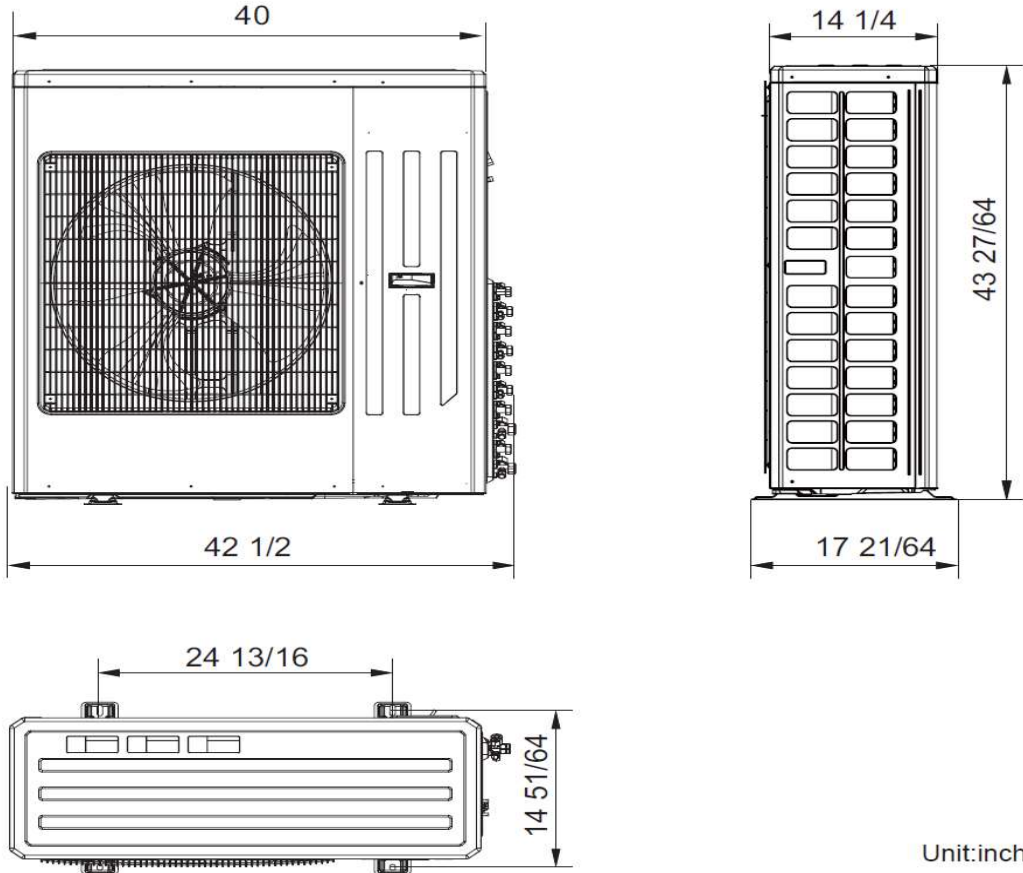
Product Specifications



**MAINLINE**

Reliably Comfortable.®

## 42K Model



Unit: inch



Contact your sales representative for more information or visit our website at [hvacmainline.com](http://hvacmainline.com)

Revised 8/29/2022

# Outdoor Unit – Multi-Zone System Component– 16-22 SEER Models

Product Specifications



**MAINLINE**

Reliably Comfortable.®

## CONTROLLER COMPATIBILITY CHART

	Prime 16	Preferred 23	Premier 38	Multi Zone Wall Mount	Multi Zone Cassette	Multi Zone Slim duct	Multi Zone Universal mount
XE71	O	O	O	O	O	O	O
XK76	O	O	O	O	O	O	O
XK19	x	x	x	x	•	•	•
YAN1F1F	•	•	x	•	O	O	O
YAG1FBF	x	x	•	x	O	O	O

• Included O Optional x Not Compatible



XK76



XE71



YAG1FBF



XK19



YAN1FBF

## ALLOWABLE COMBINATION CHART

<b>18K BTU</b> Outdoor unit BBM18H4-O *BBM18H5-O	<u>1 Unit</u>	<u>2 Units</u>							
	9	9+9							
	12	9+12							
<b>24K BTU</b> Outdoor unit BBM24H4-O BBM24H5-O	<u>2 Units</u>		<u>3 Units</u>						
	9+9	12+12	9+9+9	9+12+12					
	9+12	12+18	9+9+12	9+9+18					
	9+18	18+18	12+12+12						
<b>30K BTU</b> Outdoor unit BBM30H4-O	<u>2 Units</u>		<u>3 Units</u>		<u>4 Units</u>				
	9+9	12+12	9+9+9	12+12+12	9+9+9+9				
	9+12	12+18	9+9+12	12+12+18	9+9+9+12				
	9+18	18+18	9+9+18	9+12+18	9+9+12+12				
<b>36K BTU</b> Outdoor unit BBM36H4-O *BBM36H5-O	<u>2 Units</u>		<u>3 Units</u>		<u>4 Units</u>		<u>5 Units</u>		
	9+9	12+24	9+9+9	12+12+18	9+9+9+9	9+9+9+24	9+9+9+9+9		
	9+12	18+18	9+9+12	12+12+24	9+9+9+12	9+9+18+18	9+9+9+9+12		
	9+18	18+24	9+9+18	12+18+18	9+9+9+18	9+12+12+18			
	9+24	24+24	9+9+24	9+18+18	9+9+12+12	9+12+12+12			
	12+12	12+18	9+12+12	9+12+24	9+9+12+18	12+12+12+12			
			9+12+18	12+12+12					
			18+18+18	9+18+24					
<b>42K BTU</b> Outdoor unit BBM42H3-O TM42H5-O	<u>2 Units</u>		<u>3 Units</u>		<u>4 Units</u>			<u>5 Units</u>	
	9+12	12+24	9+9+9	12+12+18	9+9+9+9	9+9+9+24	9+9+9+9+9	9+12+12+12+12	
	9+18	18+18	9+9+12	12+12+24	9+9+9+12	9+9+12+24	9+9+9+9+12	9+12+12+12+18	
	9+24	18+24	9+9+18	12+18+18	9+9+9+18	9+9+18+18	9+9+9+9+18	12+12+12+12+12	
	12+12	24+24	9+9+24	9+18+18	9+9+12+12	9+9+18+24	9+9+9+9+24	9+9+9+18+18	
		12+18	9+12+12	9+12+24	9+9+12+18	9+12+12+18	9+9+9+12+12	9+9+12+12+12	
			9+12+18	12+12+12	9+12+12+12	9+9+12+24	9+9+9+12+18	9+9+12+12+18	
			9+18+24	12+18+24	12+12+12+12	9+12+18+18			
			9+24+24	12+24+24	9+9+12+18	9+18+18+18			
			18+18+24	18+18+18	12+12+12+18	12+12+12+24			

\*TM18H5-O Must have a minimum of 2 indoor units connected

\*TM36H5-O only has connections for 4 indoor units



Contact your sales representative for more information or visit our website at [hvacmainline.com](http://hvacmainline.com)