

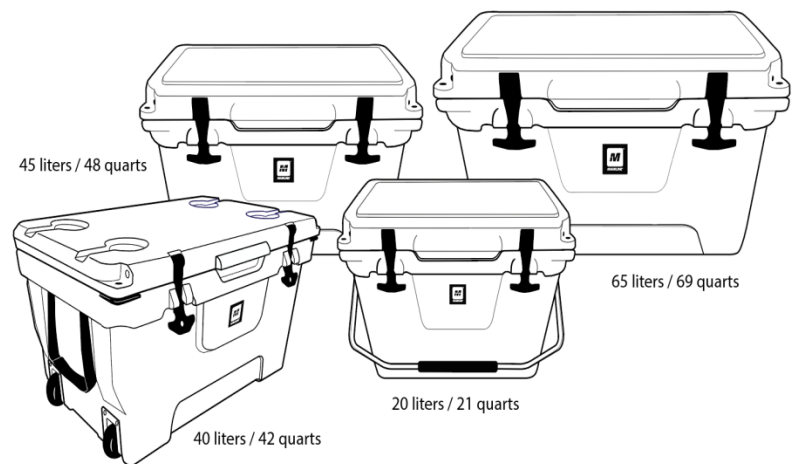
Mainline Coolers

Product Specifications



Features:

- Rotomolded construction
- Freezer-style lid gasket
- 2" thick injected, commercial-grade insulation
- Heavy-duty, lid closing rubber latches
- Leak-proof drain plug
- Integrated padlock hole
- Non-slip raised rubber feet to elevate cooler
- Available in Tan and White
- ML45LN and ML65LN include an integrated cooler divider
- ML40LW includes integrated cooler divider and wheels



Model	Capacity		External Dimension			Internal Dimension			Lid Thickness	Wall Thickness	Weight	COLOR	
	No.	Liter	Qt	Length-in	Width-in	Height-in	Length-in	Width-in	Height-in	in	in	lb	
ML20LN	20	21		21.06	14.57	16.14	14.69	9.25	10.83	2.00	2.17	18.08	WHITE
ML20LN-T	20	21		21.06	14.57	16.14	14.69	9.25	10.83	2.00	2.17	18.08	TAN
ML40LW	40	42		25.98	17.13	16.34	20.08	12.40	12.20	2.0	2.17	26.01	WHITE
ML40LW-T	40	42		25.98	17.13	16.34	20.08	12.40	12.20	2.0	2.17	26.01	TAN
ML45LN	45	48		26.77	16.54	17.32	20.47	11.02	12.01	2.36	2.56	28.22	WHITE
ML45LN-T	45	48		26.77	16.54	17.32	20.47	11.02	12.01	2.36	2.56	28.22	TAN
ML65LN	65	69		32.68	17.52	19.29	26.18	12.80	12.99	2.76	2.95	37.48	WHITE
ML65LN-T	65	69		32.68	17.52	19.29	26.18	12.80	12.99	2.76	2.95	37.48	TAN

Warranty: See warranty information for more details.

All dimensions listed are nominal. MAINLINE® reserves the right to make product and material changes at any time without notice.

Contact your sales representative for more information or visit our website at mainlinecollection.com