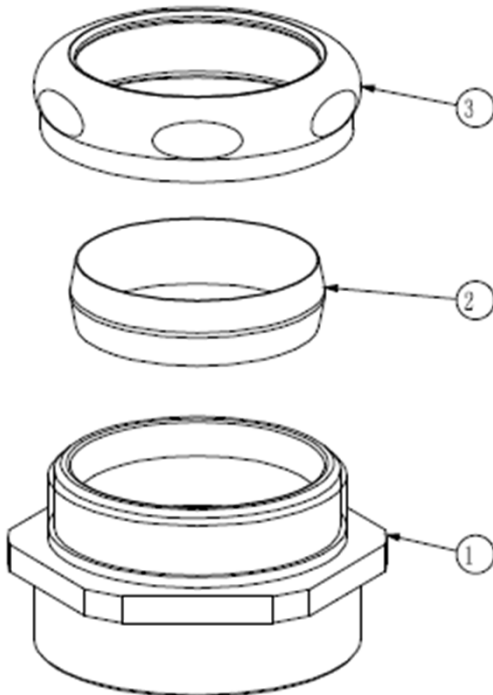
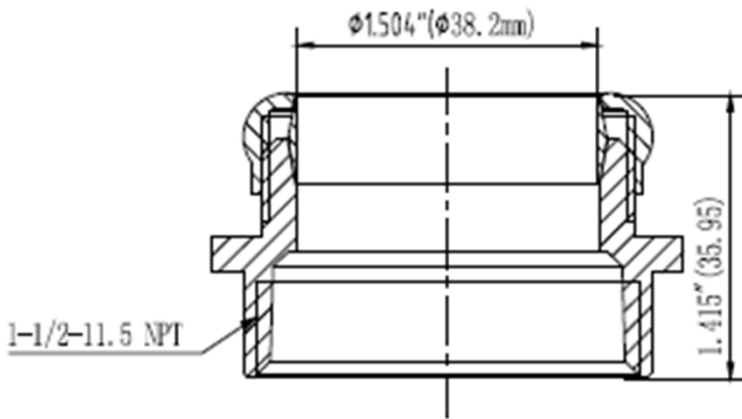


SPECIFICATIONS

- 1-1/2" FIP x 1-1/2" Slip Joint



ML1013



No.	Part Name	Material
1	Body	Brass
2	Compression Ring	Brass
3	Nut	Brass