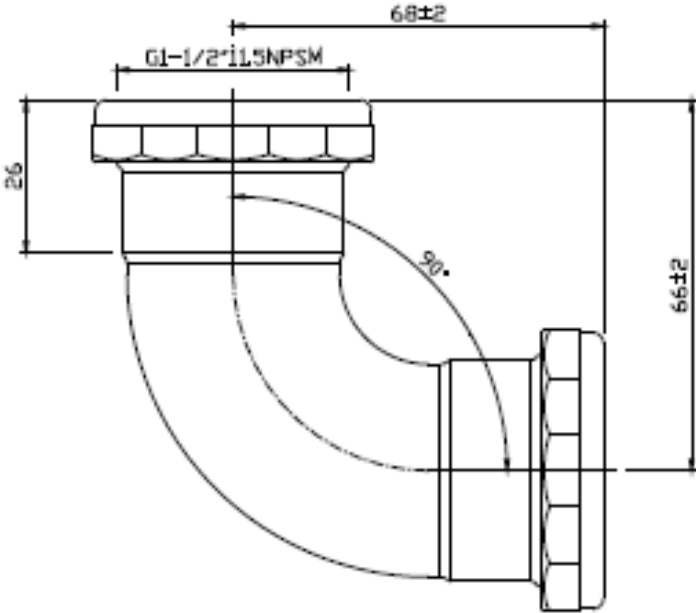
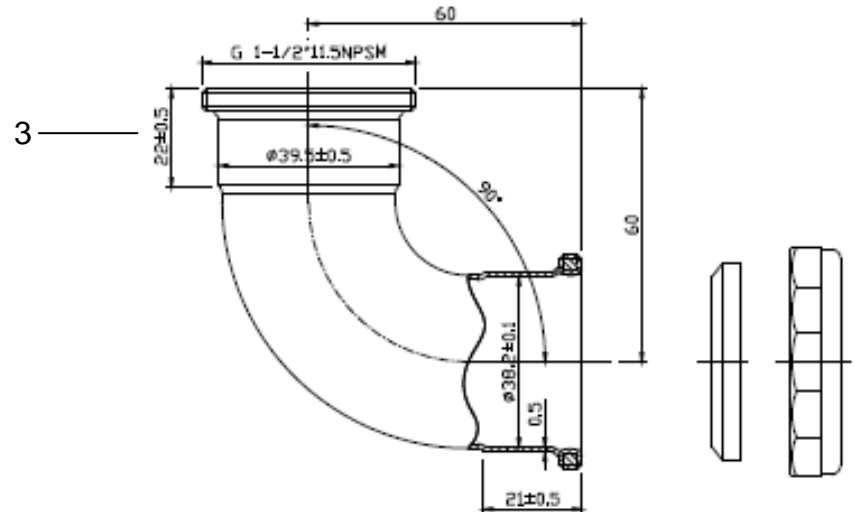
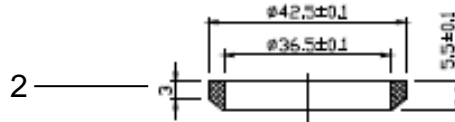
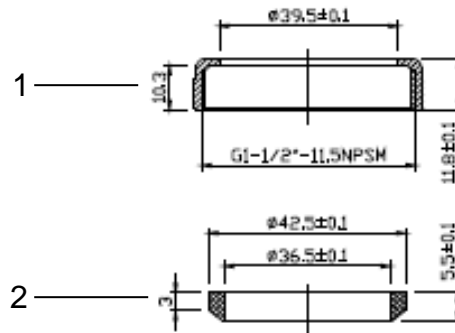


SPECIFICATIONS

- 1-1/2" 90 Degree Elbow
- With Slip Joint Connectors
- Chrome Plated
- 22 Gauge



ML8483



No.	Part Name	Material
1	Slip Joint Nut	Zinc
2	Washer	Rubber
3	Body	Brass

CERTIFICATIONS

- cUPC

