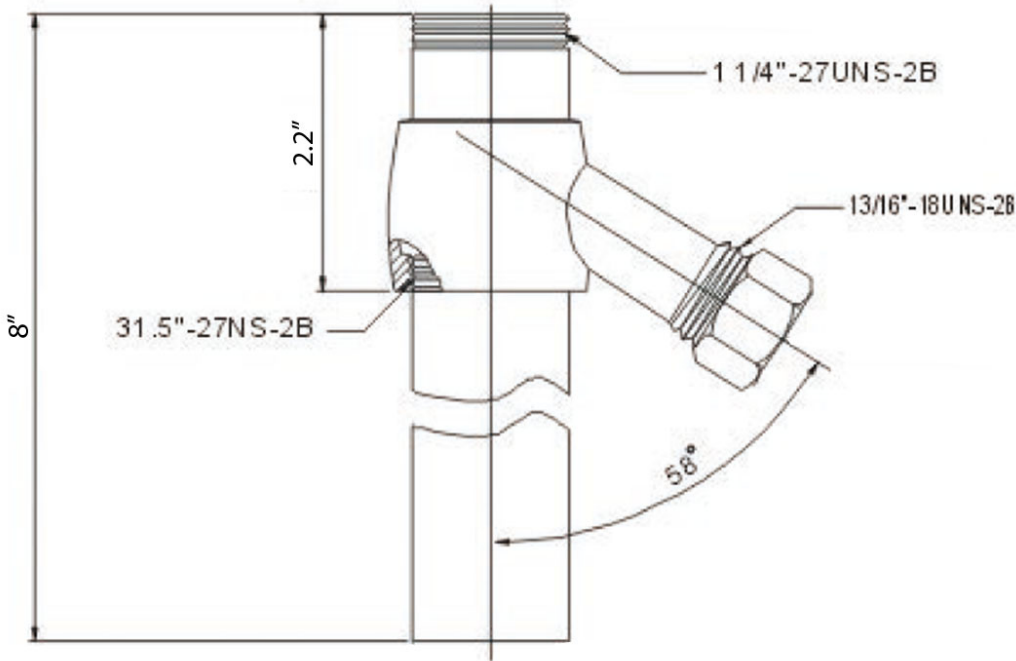
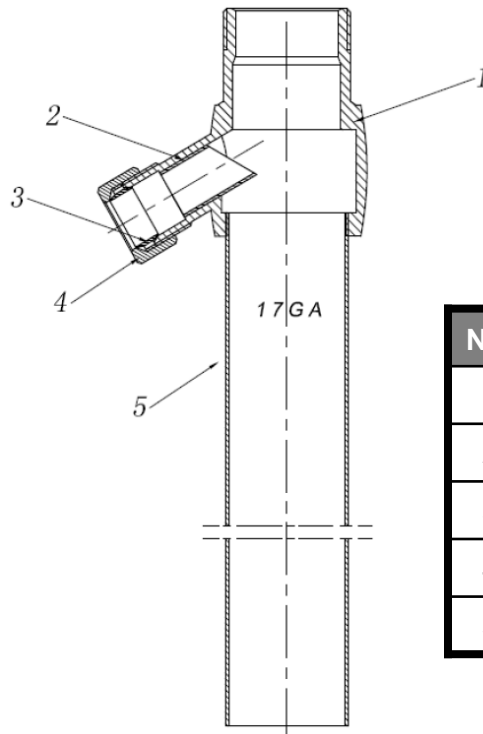


SPECIFICATIONS

- 1-1/4" x 8"
- 17 Gauge
- Chrome Plated



ML8311



No.	Part Name	Material
1	Body	Brass
2	Branch Tube	Copper
3	Branch Compression Ring	Copper
4	Branch Nut	Brass
5	Tailpiece	Brass

CERTIFICATIONS

- cUPC

