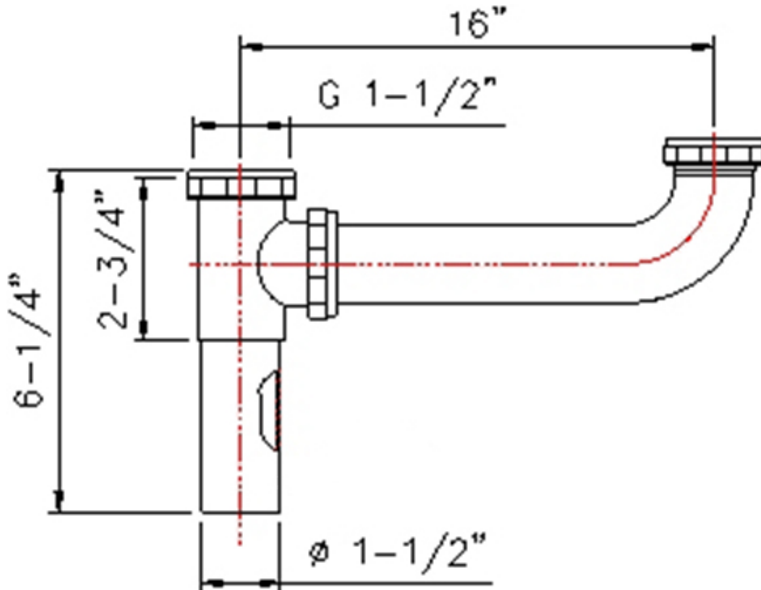
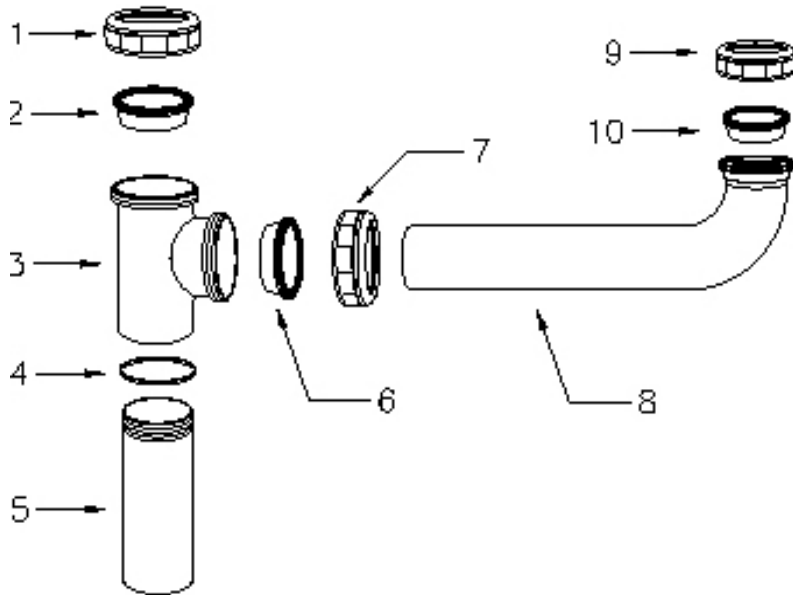


SPECIFICATIONS

- Chrome Finish
- 22 Gauge End Outlet Waste
- 1-1/2" x 16"
- Slip Joint



Model #	ML78A171	ML2108A1
Gauge	17	22



No.	Part Name	Material
1	Nut	Zinc
2	Washer	Rubber
3	Tee	Brass
4	Gasket	Plastic
5	Tailpiece	Brass
6	Washer	Rubber
7	Nut	Zinc
8	Waste Arm	Brass
9	Nut	Zinc
10	Washer	Rubber

CERTIFICATIONS

- cUPC

