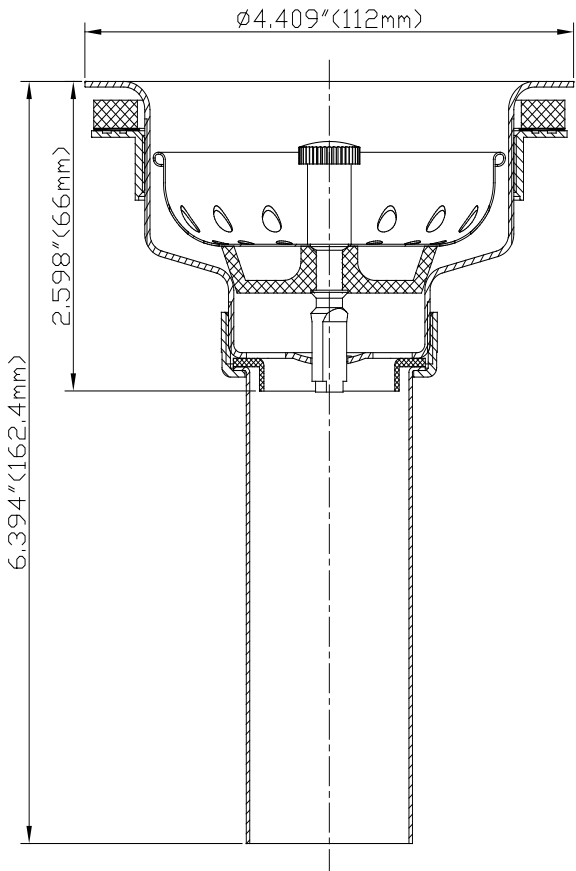
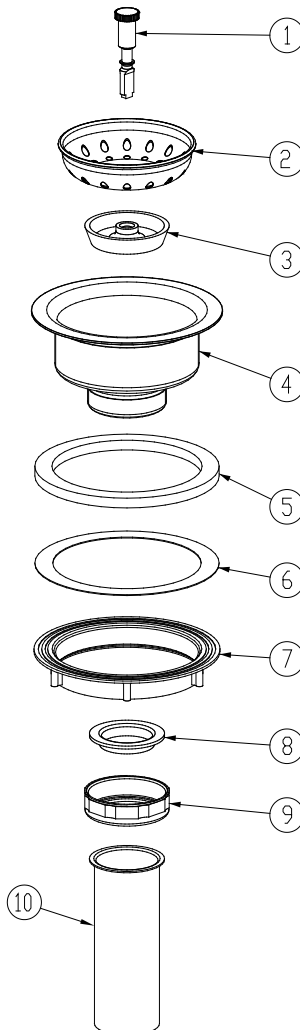


SPECIFICATIONS

- Forged Brass Body
- Machine Cut Threads
- Metal Post
- Stainless Steel Basket
- Extra Thick Washer
- Heavy Zinc Locknut
- 4" Tailpiece



MLL7T



No.	Part Name	Material
1	Stick Post	Zinc
2	Basket	Stainless Steel
3	Stopper	Rubber
4	Body	Forged Brass
5	Washer	Rubber
6	Gasket	Paper
7	Lock Nut	Zinc
8	Washer	PE
9	Tailpiece Nut	Zinc
10	Tailpiece	Brass

CROSS REFERENCE	
L7T	656-003ST
ZSS250W-PC	

CERTIFICATIONS

- cUPC

