

# Toilet Flapper

## Product Specifications

### FEATURES

- 3" Toilet Flapper
- Replaces 3" flush valves of the tanks listed

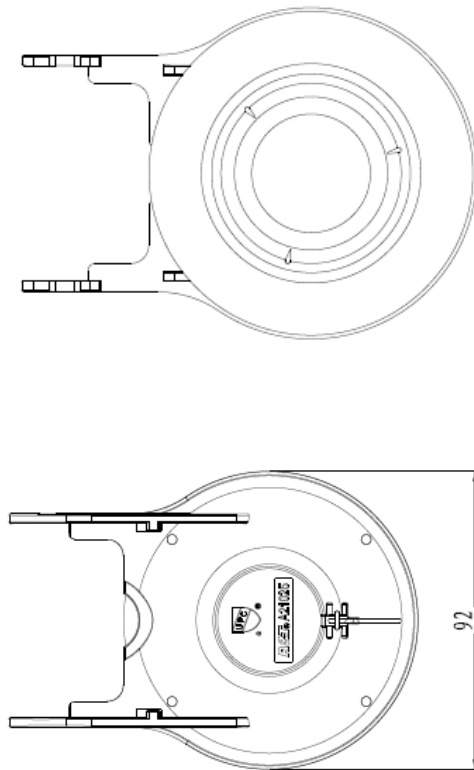
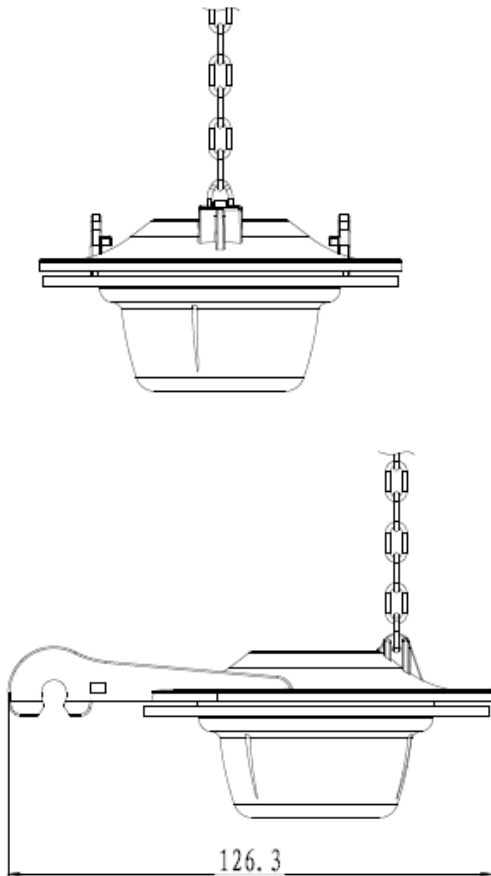
#### Compatible Tanks

LXS10002

LXS10009



**LXFLAP100**



Contact your sales representative for more information or visit our website at [luxartcollection.com](http://luxartcollection.com)