

# TOILET FILL VALVE

Product Specifications



## FEATURES

- Includes adjustable shank
- Replaces the fill valve for the following models listed

### Compatible Tanks

MLS10427

LXS10002

LXS10009

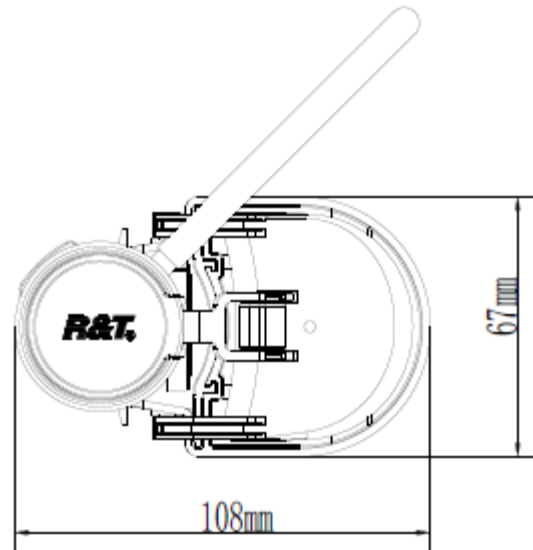
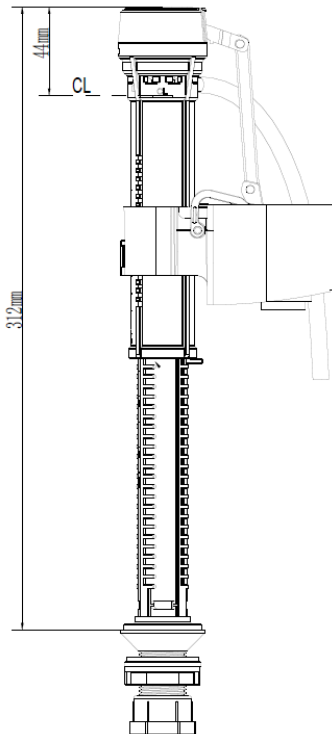
LXS10016

LXS10017

LXS10018



**MLFILL300**



## Warranty

See warranty information for more details.

All dimensions listed are nominal. MAINLINE® reserves the right to make product and material changes at any time without notice.



Contact your sales representative for more information or visit our website at [mainlinecollection.com](http://mainlinecollection.com)