



MAINLINE®

Plastic Commercial Elongated Toilet Seat

Product Specifications

Description

Open front less cover, elongated, heavy-duty, injection molded solid plastic toilet seat. Features four ring bumpers, non self-sustaining check hinges with non-corrosive 300 Series stainless steel posts, pintles and hardware. This seat complies with American National Standard Z124.5 Toilet (Water Closet) Seats as a class Commercial Heavy Duty.

Model: ML1955C

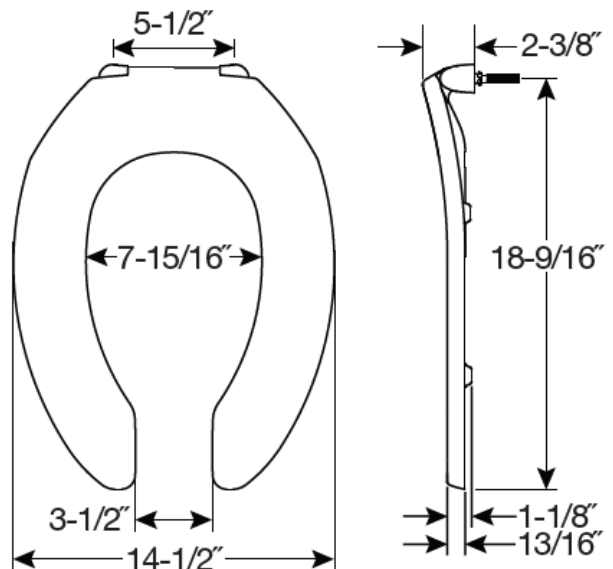
Specifications	
Size:	Elongated
Weight:	4.2 lbs
Color:	White (000)
Material:	Plastic
Style:	Open Front less Cover
Bumpers:	Four
Hinges:	Plastic Non Self-Sustaining Check Hinges with Non-Corroding 300 Series Stainless Steel Posts and Pintles
Fastening System:	Non-Corrosive 300 Series Stainless Steel Hardware



PLASTIC HINGES WITH STAINLESS STEEL POSTS AND PINTLES



NON-CORROSIVE STAINLESS STEEL HARDWARE



Warranty

See warranty information for more details.

All dimensions listed are nominal. MAINLINE® reserves the right to make product and material changes at any time without notice.



Complies with IAPMO/ANSI Z124.5 Performance Standards Heavy-Duty Commercial



Contact your sales representative for more information or visit our website at mainlinecollection.com