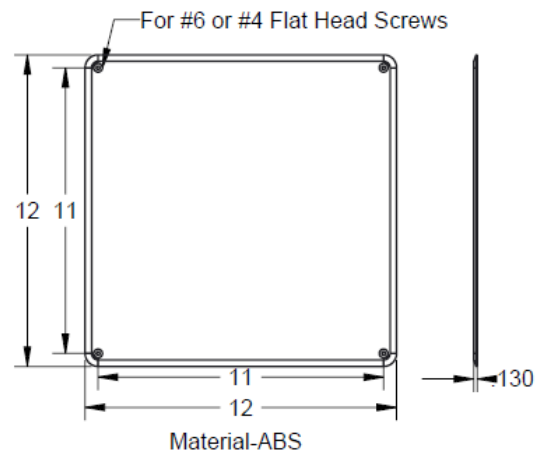
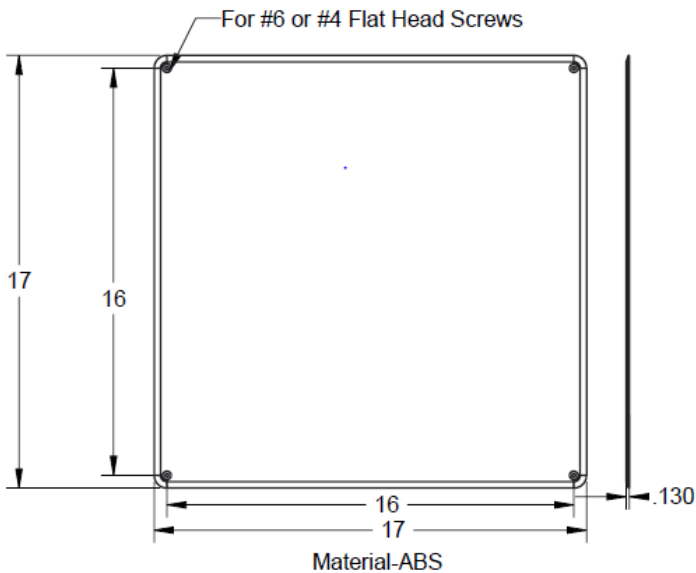


1-Piece Access Panel

Product Specifications

FEATURES

- Provide access to fixtures, outlets or connections behind drywall
- White finish
- Can be wallpapered or painted
- Made from ABS molded, high impact, non-corrosive plastic



Installation Note: Panel shall be attached with construction adhesive or with screws directly to the front of finish wall. Panels shall have countersunk holes for flush screw finish and will receive #6 or #4 flat head screws.

✓ To Submit	Part #	Description	Screw Hole Spacing (in)	Thickness (in)
	ML67945	12 x 12 Plastic 1-Piece Access Panel	11	0.13
	ML67946	17 x 17 Plastic 1-Piece Access Panel	16	0.13

Warranty

See warranty information for more details.

All dimensions listed are nominal. MAINLINE® reserves the right to make product and material changes at any time without notice.

Contact your sales representative for more information or visit our website at mainlinecollection.com