



# TANK TO BOWL GASKET AND BOLTS

Product Specifications

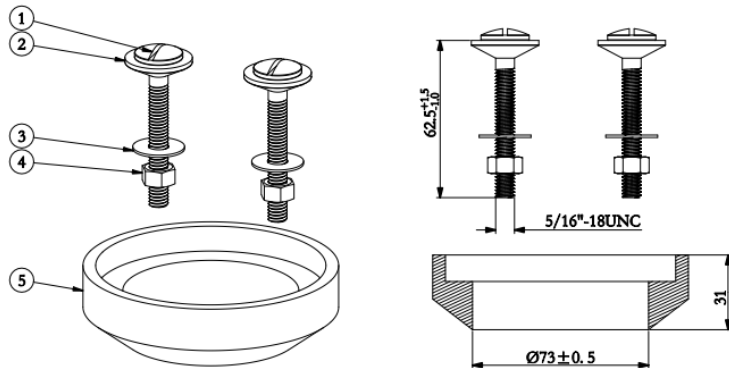
MAINLINE®

## FEATURES

- Tank to bolts & gasket
- 3" tank gasket
- Copper screws
- Rubber washers and hex nuts



MLTRP600



No.	Name
1	Copper Screw
2	Washer
3	Washer
4	Hexagon Nut
5	Gasket

## Warranty

See warranty information for more details.

All dimensions listed are nominal. MAINLINE® reserves the right to make product and material changes at any time without notice.



Contact your sales representative for more information or visit our website at [mainlinecollection.com](http://mainlinecollection.com)