



MAINLINE®

TOILET FILL VALVE

Product Specifications

FEATURES

- Fill valve
- Includes adjustable shank
- Refill tube and clip included
- Replaces most fill valves and ballcocks

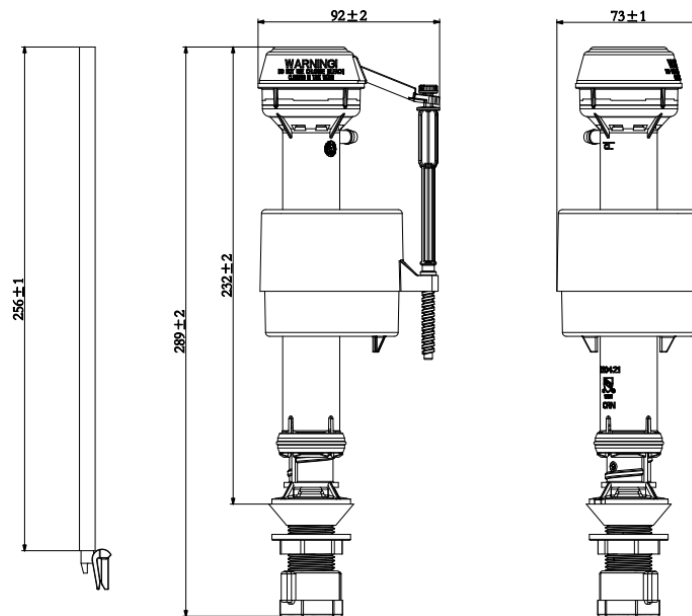
APPLICABLE STANDARDS/CODES

*This product is in compliance with the following standard(s)

- ASSE 1002-2020
- ASME A112.1002-2020
- CSA B125.12-20



MLTRP400



Warranty

See warranty information for more details.

All dimensions listed are nominal. MAINLINE® reserves the right to make product and material changes at any time without notice.



Contact your sales representative for more information or visit our website at mainlinecollection.com