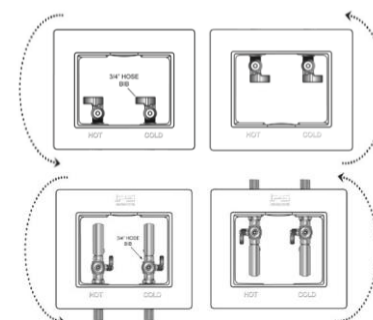
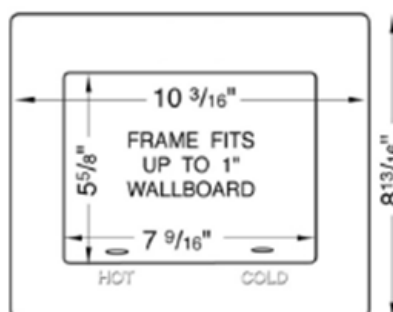
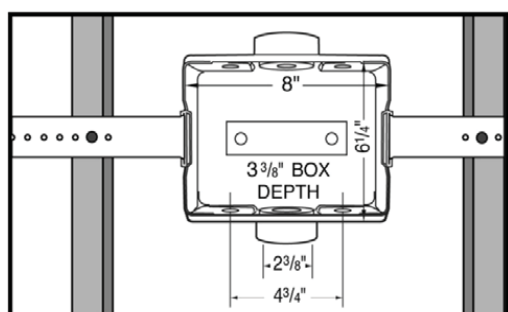


Center Drain Washing Machine Box

Product Specifications

FEATURES

- One piece design speeds installation
- 1/4 turn pre-installed ball valves, multiple connections
- One piece construction with raised drip guard contains potential leaks down the drain
- Raised EZ Out caps allow for easy removal
- Oversized Knock Outs will not fall down the drain
- Drain outlet connects to ABS or PVC DWV
- Box can be inverted for top mount valves/ center drain option
- Face frame included
- Available with or without hammer arrestor



✓ To Submit	Part #	Description
	ML10525	Center Drain 1/4 Turn MIP/SWT Valve
	ML10526	Center Drain 1/4 Turn CPVC Valve
	ML10527	Center Drain 1/4 Turn PEX F1807 Valve
	ML10528	Center Drain 1/4 Turn PEX F1960 Valve
	ML10529	Center Drain 1/4 Turn MIP/SWT Hammer Arrestor Valve
	ML10530	Center Drain 1/4 Turn CPVC Hammer Arrestor Valve
	ML10531	Center Drain 1/4 Turn PEX F1807 Hammer Arrestor Valve
	ML85739	Center Drain 1/4 Turn PEX F1960 Hammer Arrestor Valve
	ML87204	Center Drain Washing Machine Box Less Valve
	ML10521	Face Frame Only

Warranty

See warranty information for more details.

All dimensions listed are nominal. MAINLINE® reserves the right to make product and material changes at any time without notice.



Contact your sales representative for more information or visit our website at mainlinecollection.com