



Valve Boxes - 10" Round

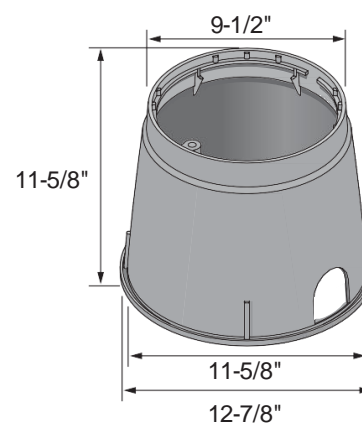
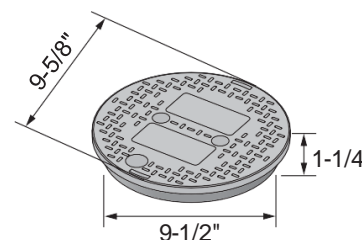
Product Specifications

Features:

- Contains UV stabilizer for long term protection
- Tapered body
- Overlapping cover
- 1/2" Bottom body flange
- Bolt Down Option
- Double wall at top cover seat area

Dimensions & Information:

- Injection molded structural foam polyolefin
- Seat area has double wall with thickness of 0.25" or greater
- Cover thickness of 0.25" on average
- Body wall thickness of 0.20" or greater



2-1/2" x 2-3/4" Pipe Slot

Properties of Unfoamed Resin	ASTM Test Method	Polyolefin
Tensile Strength, Yield	ASTM D 638	3100 - 4400 PSI
Density	ASTM D 792	.900 - .956
Notched Izod Impact Strength	ASTM D 256	4 - 15 ft.lbs/in.
Heat Deflection Temp @ 66 PSI, degrees F	ASTM D 648	165 - 212° F

✓ To Submit	Part #	Description	Weight
	ML111BCS	10" Round Box/Cover Kit, Sewer, Black/Green	3.00
	ML111BCW	10" Round Box/Cover Kit, Water, Black/Green	3.00
	ML111BCWBLK	10" Round Box/Cover Kit, Water, Black/Black	3.02
	ML111BC	10" Round Box/Cover Kit, ICV, Black/Green	2.95
	ML111C	10" Round Cover Only, ICV, Green	0.95
	ML111CS	10" Round Cover Only, Sewer, Green	1.00
	ML111CW	10" Round Cover Only, Water, Green	1.00
	ML111CWBLK	10" Round Cover Only, Water, Black	1.02
	ML111B	10" Round Box Only, Black	2.00
	ML111BB	1-1/4" x 5/16" Bolts, For 10" Round Box	0.05

Warranty

See warranty information for more details.

All dimensions listed are nominal. MAINLINE® reserves the right to make product and material changes at any time without notice.



Contact your sales representative for more information or visit our website at mainlinecollection.com