



Valve Boxes - 6" Round

Product Specifications

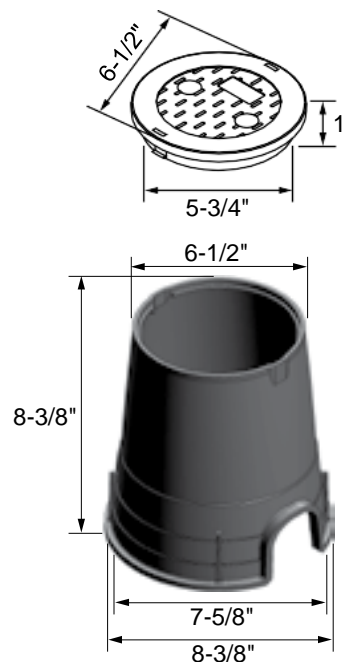
Features:

- Contains UV stabilizer for long term protection
- Tapered body
- Overlapping cover
- 1/4" Bottom body flange
- Double wall at top cover seat area

Dimensions & Information:

- Injection molded structural foam polyolefin
- Seat area has double wall with thickness of 0.13" or greater
- Cover thickness of 0.187" on average
- Body wall thickness of 0.20" or greater

Properties of Unfoamed Resin	ASTM Test Method	Polyolefin
Tensile Strength, Yield	ASTM D 638	3100 - 4400 PSI
Density	ASTM D 792	.900 - .956
Notched Izod Impact Strength	ASTM D 256	4 - 15 ft.lbs/in.
Heat Deflection Temp @ 66 PSI, degrees F	ASTM D 648	165 - 212° F



2-3/4" x 2-3/8" Pipe Slot

✓ To Submit	Part #	Description	Weight
	ML107BC	6" Round Box/Cover Kit, ICV, Black/Green	1.59
	ML107BCS	6" Round Box/Cover Kit, Sewer, Black/Green	1.63
	ML107BCW	6" Round Box/Cover Kit, Water, Black/Green	1.63
	ML107C	6" Round Cover Only, ICV, Green	0.36
	ML107CS	6" Round Cover Only, Sewer, Green	0.40
	ML107CW	6" Round Cover Only, Water, Green	0.40
	ML107B	6" Round Box Only, Black	1.23

Warranty

See warranty information for more details.

All dimensions listed are nominal. MAINLINE® reserves the right to make product and material changes at any time without notice.



Contact your sales representative for more information or visit our website at mainlinecollection.com