



Meter Boxes - 13"x20" Rectangular

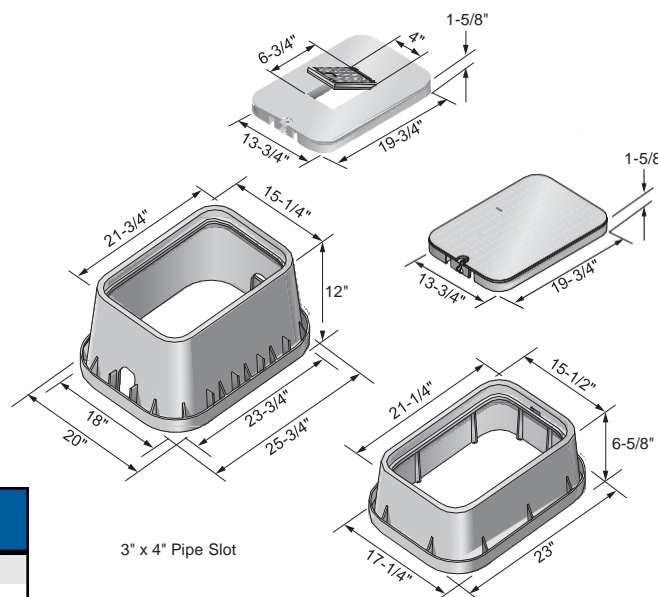
Product Specifications

Features:

- Contains UV stabilizer for long term protection
- Tapered body
- Overlapping or Drop-In cover
- 1/2" Bottom body flange
- Locking brass inserts
- Bolt Down Option

Dimensions & Information:

- Injection molded structural foam polyolefin
- Seat area has double wall with thickness of 0.25" or greater
- Cover thickness of 0.25" on average
- Body wall thickness of 0.25" or greater



Properties of Unfoamed Resin	ASTM Test Method	Polyolefin
Tensile Strength, Yield	ASTM D 638	3100 - 4400 PSI
Density	ASTM D 792	.900 - .956
Notched Izod Impact Strength	ASTM D 256	4 - 15 ft.lbs/in.
Heat Deflection Temp @ 66 PSI, degrees F	ASTM D 648	165 - 212° F

✓ To Submit	Part #	Description	Weight
	MLD1500DISB	13"x20" Rectangular Jumbo Box/Drop-In Cover Kit, Water, Black/Black	13.20
	MLD1500DIRB	13"x20" Rectangular Jumbo Box/Drop-In Reader Cover Kit, Water, Black/Black	13.20
	MLD1500DISBL	13"x20" Rectangular Jumbo Drop-In Cover Only, Water, Black	3.80
	MLD1500DIRBL	13"x20" Rectangular Jumbo Drop-In Reader Cover Only, Water, Black	3.80
	MLD1500BO	13"x20" Rectangular Jumbo Box Only, Black	9.40
	MLD750E-EXT	13"x20"x6" Rectangular Jumbo Box Extension, Black	5.60
	ML113BB	2-1/2" x 3/8" Bolts, For Rectangular Box	0.10

Warranty

See warranty information for more details.

All dimensions listed are nominal. MAINLINE® reserves the right to make product and material changes at any time without notice.



Contact your sales representative for more information or visit our website at mainlinecollection.com