



**MAINLINE**

# Valve Boxes - 6" Round

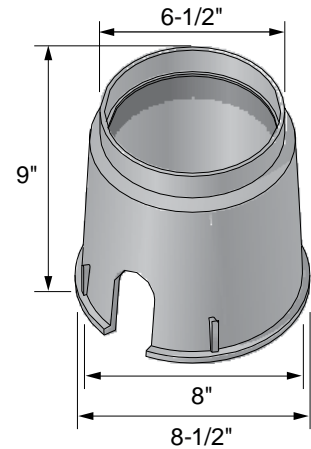
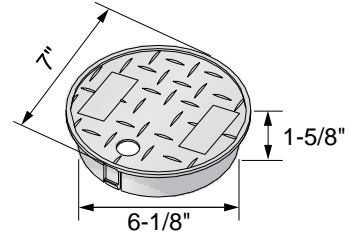
## Product Specifications

### Features:

- Contains UV stabilizer for long term protection
- Tapered body
- Overlapping cover
- 1/4" Bottom body flange
- Double wall at top cover seat area

### Dimensions & Information:

- Injection molded structural foam polyolefin
- Seat area has double wall with thickness of 0.13" or greater
- Cover thickness of 0.187" on average
- Body wall thickness of 0.20" or greater



2-1/4" x 2-3/4" Pipe Slot

Properties of Unfoamed Resin	ASTM Test Method	Polyolefin
Tensile Strength, Yield	ASTM D 638	3100 - 4400 PSI
Density	ASTM D 792	.900 - .956
Notched Izod Impact Strength	ASTM D 256	4 - 15 ft.lbs/in.
Heat Deflection Temp @ 66 PSI, degrees F	ASTM D 648	165 - 212° F

✓ To Submit	Part #	Description	Weight
	MLD109G	6" Round Box/Cover Kit, ICV, Black/Green	1.06
	MLD109GL	6" Round Cover Only, ICV, Green	0.26
	MLD109BO	6" Round Box Only, Black	0.80

### Warranty

See warranty information for more details.

All dimensions listed are nominal. MAINLINE® reserves the right to make product and material changes at any time without notice.



Contact your sales representative for more information or visit our website at [mainlinecollection.com](http://mainlinecollection.com)