



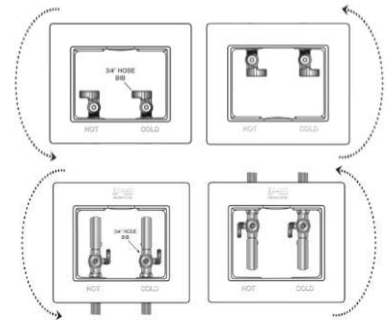
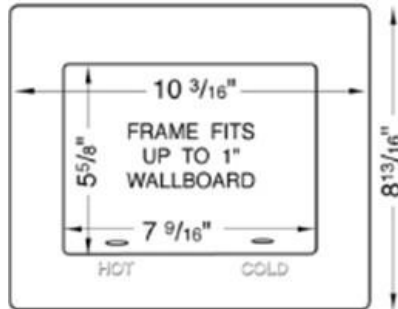
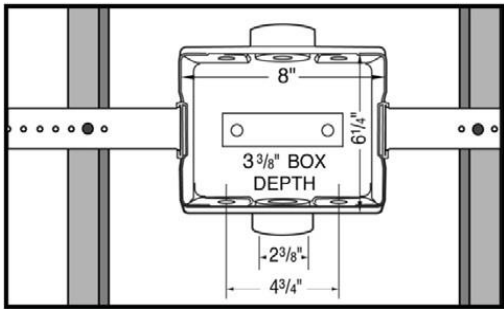
MAINLINE®

Center Drain Washing Machine Box

Product Specifications

FEATURES

- One piece design speeds installation
- 1/4 turn pre-installed ball valves, multiple connections
- One piece construction with raised drip guard contains potential leaks down the drain
- Raised EZ Out caps allow for easy removal
- Oversized Knock Outs will not fall down the drain
- Drain outlet connects to ABS or PVC DWV
- Box can be inverted for top mount valves/ center drain option
- Face frame included
- Available with or without hammer arrester



✓ To Submit	Part #	Description
	ML10525	Center Drain 1/4 Turn SWT Valve White
	ML10526	Center Drain 1/4 Turn CPVC Valve White
	ML10527	Center Drain 1/4 Turn PEX Valve White
	ML10528	Center Drain 1/4 Turn UPONOR Valve White
	ML10529	Center Drain 1/4 Turn SWT Valve w/ Hammer Arrester White
	ML10530	Center Drain 1/4 Turn CPVC Valve w/ Hammer Arrester White
	ML10531	Center Drain 1/4 Turn PEX Valve w/ Hammer Arrester White
	ML10521	Face Frame Only White

Warranty

See warranty information for more details.

All dimensions listed are nominal. MAINLINE® reserves the right to make product and material changes at any time without notice.



Contact your sales representative for more information or visit our website at mainlinecollection.com