



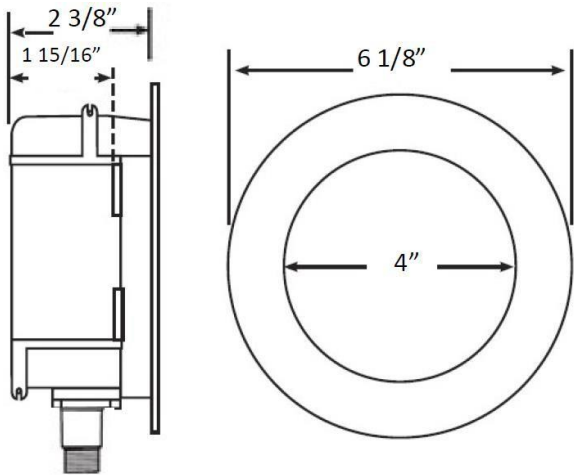
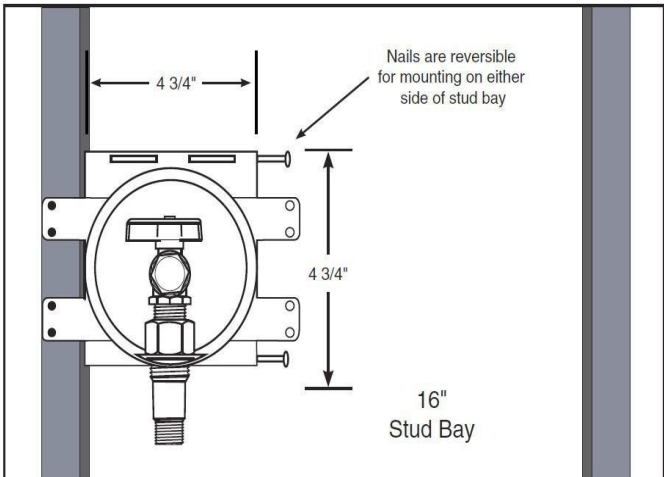
MAINLINE®

Mini Gas Valve Outlet Box - Round

Product Specifications

FEATURES

- Polystyrene box
- Recessed valve allows for appliances to be closer to wall
- Preloaded nails provide a strong rigid mount
- Box can be mounted on the left or right of stud bay
- Includes 1/2" IPS valve
- Valve is CSA listed
- Test plug provided for testing of valve assembly
- Round face plate accommodates up to 1" sheet rock
- Molded side support brackets supports box to stud bay



| ✓ To Submit | Part # | Description |
|-------------|---------|---|
| | ML88107 | 1/2" FIP Outlet x 1/2" MIP Inlet Gas Valve Mini Outlet Box, Round |

Warranty

See warranty information for more details.

All dimensions listed are nominal. MAINLINE® reserves the right to make product and material changes at any time without notice.



Contact your sales representative for more information or visit our website at mainlinecollection.com