

# MultiBox™ Ice Maker Outlet Box System, Fire Rated with Quarter Turn Valve with Hammer Arrester



## Product Specifications

### Product Features:

- Furnish and install fire-rated MultiBox™ Ice Maker Outlet Box
- Unit shall be MAINLINE® product code checked below, as manufactured by IPS Corporation

### Box/Frame Material:

- PVC & Intumescent Pad attached

### Valve:

- Lead free Qtr. Turn Arrester Valve with Sweat, CPVC, PEX or Wirsbo connection as checked below.
- Valve complies with ASME A112.18.1/CSA B125.1-05, NSF61-NSF/ANSI 372, and meets California No Lead Plumbing Law.
- Arrester complies with ASSE 1010.



### Available Accessories:

- 3 Universal Faceplates: Open, Solid and Louvered Stabilizer Bar

### Certifications:

- Box 
- Valve 

Box has been certified with the following ratings:

- ASTM E814, 1 Hr (F), 41 Min (T) and 2 Hr (F), 101 Min (T)
- CAN/ULC-S115-1 Hr (F/FH), 41 Min (FT/FTH) and 2 Hr (F/FH), 101 Min (FT/FTH)

| To Submit | Product Code # | Product Description  | Model #        | Units/Case |
|-----------|----------------|--|----------------|------------|
|           | ML83081        | FR IMOB, Qtr-turn Arrester Valve, 1/2" Sweat Connection, CP  | MBFRAB1200HACP | 10         |
|           | ML83082        | FR IMOB, Qtr-turn Arrester Valve, 1/2" CPVC Connection, CP   | MBFRAB1201HACP | 10         |
|           | ML83083        | FRIMOB, Qtr-turn Arrester Valve, 1/2" PEX Connection, CP     | MBFRAB1202HACP | 10         |
|           | ML83084        | FR IMOB, Qtr-turn Arrester Valve, 1/2" Wirsbo Connection, CP | MBFRAB1211HACP | 10         |

### Warranty

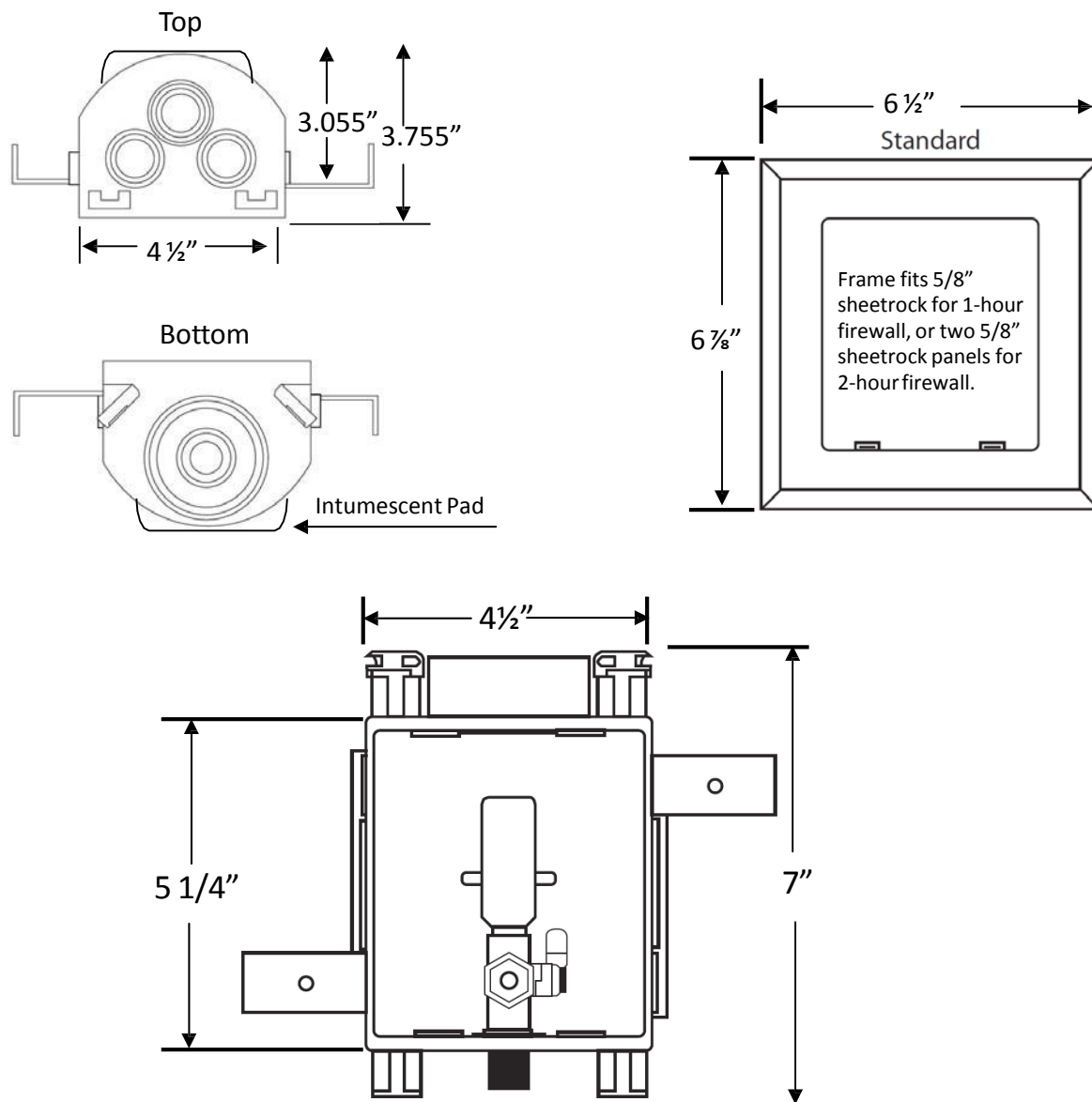
See warranty information for more details.

All dimensions listed are nominal. MAINLINE® reserves the right to make product and material changes at any time without notice.

Contact your sales representative for more information or visit our website at [mainlinecollection.com](http://mainlinecollection.com)

# MultiBox™ Ice Maker Outlet Box System, Fire Rated with Quarter Turn Valve with Hammer Arrester

## Product Specifications



## Warranty

See warranty information for more details.

All dimensions listed are nominal. MAINLINE® reserves the right to make product and material changes at any time without notice.

Contact your sales representative for more information or visit our website at [mainlinecollection.com](http://mainlinecollection.com)