

MultiBox™ Ice Maker Outlet Box System, Fire Rated with Quarter Turn Valve



Product Specifications

Product Features:

- Furnish and install fire-rated MultiBox™ Ice Maker Outlet Box
- Unit shall be MAINLINE® product code checked below, as manufactured by IPS Corporation

Box/Frame Material:

- PVC & Intumescent Pad attached

Valve:

- Lead free Qtr. Turn Valve with Sweat, CPVC, PEX or Wirsbo connection as checked below.
- Valve complies with ASME A112.18.1/CSA B125.1-05, NSF61-NSF/ANSI 372, and meets California No Lead Plumbing Law.



Available Accessories:

- 3 Universal Faceplates: Open, Solid and Louvered Stabilizer Bar

Certifications:

- Box 
- Valve 

Box has been certified with the following ratings:
 ASTM E814, 1 Hr (F), 41 Min (T) and 2 Hr (F), 101 Min (T)
 CAN/ULC-S115-1 Hr (F/FH), 41 Min (FT/FTH) and 2 Hr (F/FH), 101 Min (FT/FTH)

To Submit	Product Code #	Product Description	Model #	Units/Case
	ML83073	FR IMOB, Qtr-turn Valve, 1/2" Sweat Connection, CP	MBFRAB1200CP	10
	ML83074	FR IMOB, Qtr-turn Valve, 1/2" CPVC Connection, CP	MBFRAB1201CP	10
	ML83075	FRIMOB, Qtr-turn Valve, 1/2" PEX Connection, CP	MBFRAB1202CP	10
	ML83076	FR IMOB, Qtr-turn Valve, 1/2" Wirsbo Connection, CP	MBFRAB1211CP	10

Warranty

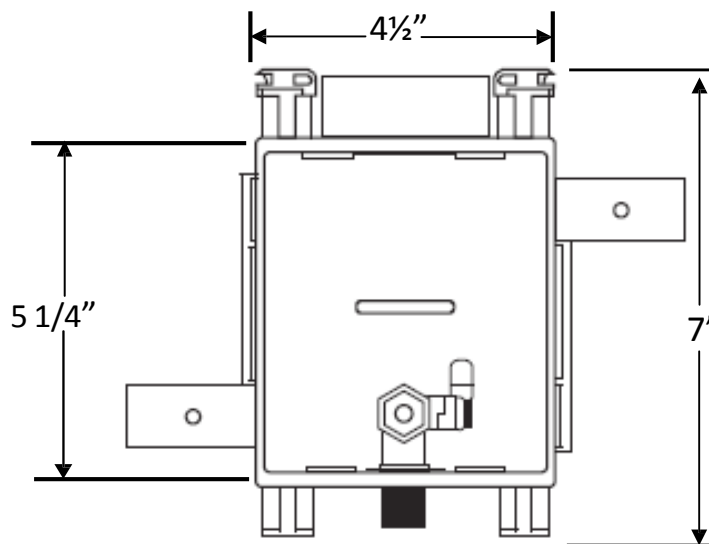
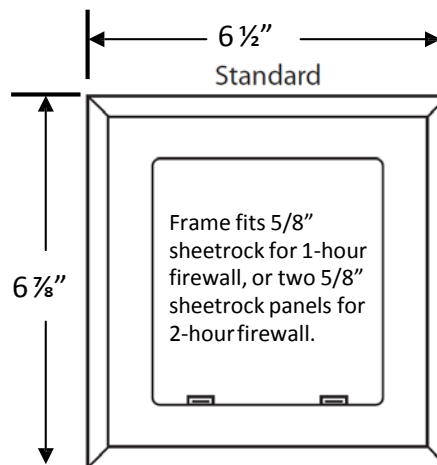
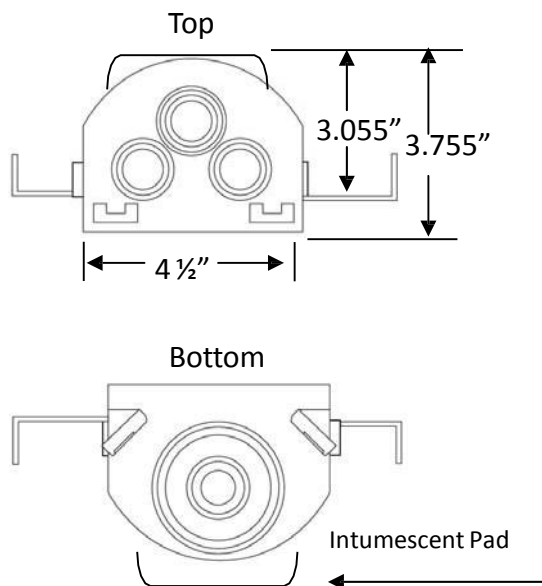
See warranty information for more details.

All dimensions listed are nominal. MAINLINE® reserves the right to make product and material changes at any time without notice.

Contact your sales representative for more information or visit our website at mainlinecollection.com

MultiBox™ Ice Maker Outlet Box System, Fire Rated with Quarter Turn Valve

Product Specifications



Warranty

See warranty information for more details.

All dimensions listed are nominal. MAINLINE® reserves the right to make product and material changes at any time without notice.

Contact your sales representative for more information or visit our website at mainlinecollection.com