

Metal Ice Maker Outlet Box, Fire Rated with Quarter Turn Valve with Hammer Arrester



Product Specifications

Product Features:

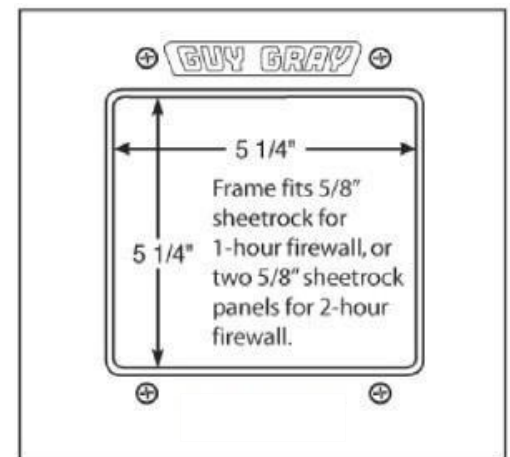
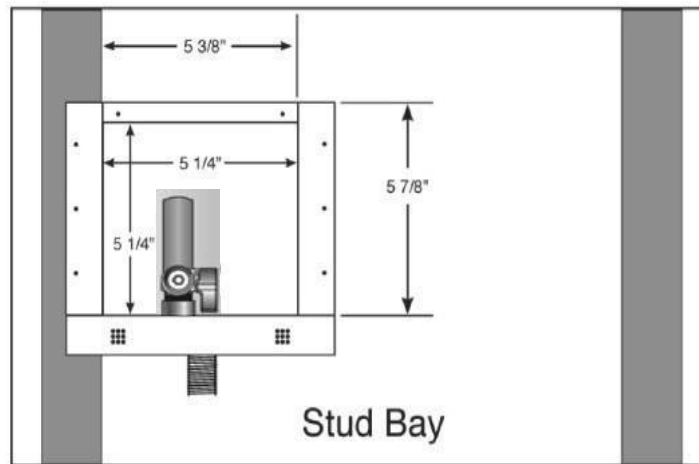
- Furnish and install recessed fire rated ice maker outlet box
- Unit shall have a lead free quarter-turn ball valve and integral hammer arrester
- Unit shall be MAINLINE® product code checked below as manufactured by IPS Corporation

Box/Frame Material:

- White Powder Coat on Cold Rolled Steel Finish & Intumescent Pad

Valve & Drain Options:

- Lead free Qtr Turn Valve kit with 1/2" Sweat, CPVC, PEX or Wirsbo connection furnished
- Kit includes valves, locknuts and o-rings



To Submit	Product Code #	Product Description	Model Number	Units/Case
	ML82392	Brass Qtr Turn Arrester Valve, Installed, 1/2" Sweat Conx.	FRMIB12ABSHA	5
	ML82394	Brass Qtr Turn Arrester Valve, Installed, 1/2" CPVC Conx.	FRMIB12ABCHA	5
	ML82396	Brass Qtr Turn Arrester Valve, Installed, 1/2" PEX® Conx.	FRMIB12ABPHA	5
	ML82398	Brass Qtr Turn Arrester Valve, Installed, 1/2" Wirsbo® Conx.	FRMIB12ABWHA	5

Warranty

See warranty information for more details.

All dimensions listed are nominal. MAINLINE® reserves the right to make product and material changes at any time without notice.

Contact your sales representative for more information or visit our website at mainlinecollection.com