

Metal Ice Maker Outlet Box, Fire Rated with Quarter Turn Valve

Product Specifications



Product Features:

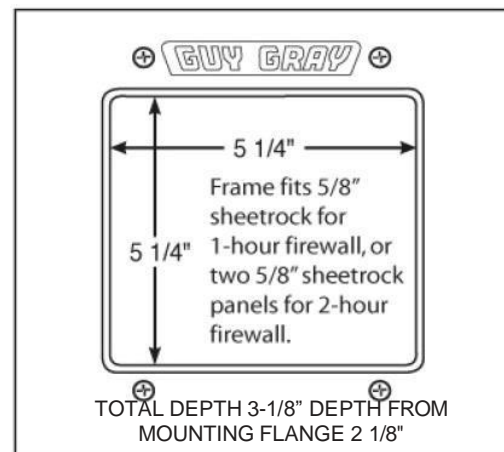
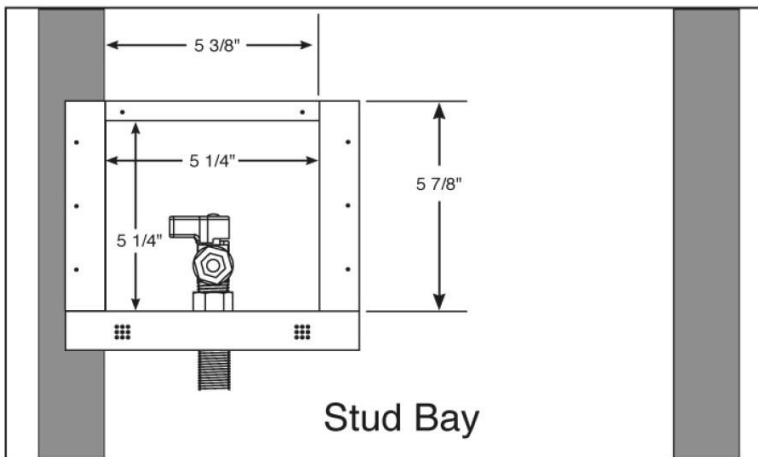
- Furnish and install recessed fire rated ice maker outlet box
- Unit shall have a lead free quarter-turn ball valve
- Unit shall be MAINLINE® product code checked below as manufactured by IPS Corporation

Box/Frame Material:

- White Powder Coat on Cold Rolled Steel Finish & Intumescent Pad

Valve & Drain Options:

- Qtr. Turn Valve kit with 1/2" Sweat, CPVC, PEX or Wirsbo connection furnished
- Kit includes valves, locknuts and o-rings



To Submit	Product Code#	Product Description	Model Number	Units/Case
	ML82390	Lead Free Qtr Turn Valve, 1/2" Sweat Conn., Contractor Pack	FRMIB12ABS	5
	ML82393	Lead Free Qtr Turn Valve, 1/2" CPVC Conn., Contractor Pack	FRMIB12ABC	5
	ML82395	Lead Free Qtr Turn Valve, 1/2" PEX Conn., Contractor Pack	FRMIB12ABP	5
	ML82397	Lead Free Qtr Turn Valve, 1/2" Wirsbo® Conn., Contractor Pack	FRMIB12ABW	5

Warranty

See warranty information for more details.

All dimensions listed are nominal. MAINLINE® reserves the right to make product and material changes at any time without notice.

Contact your sales representative for more information or visit our website at mainlinecollection.com