



MultiBox™, Gas Outlet Box System

Product Specifications

Product Features:

- Furnish and install MultiBox™ Gas Outlet Box
- Unit shall be MAINLINE® product code checked below, as manufactured by IPS Corporation.

Box/Frame Material:

- PVC

Valve:

- Gas Valve as indicated below.

Available Accessories:

- 3 Universal Faceplates: Open, Solid and Louvered Stabilizer Bar

Certifications:

- Valve complies with ANSI Z21/CSA9.1

- Box 
- Valve 



To Submit	Product Code #	Product Description	Model #	Units/Case
	ML82940	Gas OB, 1/2" Gas Valve	MBG1212IP	10
	ML82941	Gas OB, 1/2" Gas Valve for CSST Pipe	MBG1212CSST	10
	ML82942	Gas OB, 3/4" Gas Valve	MBG1234IP	10

Warranty

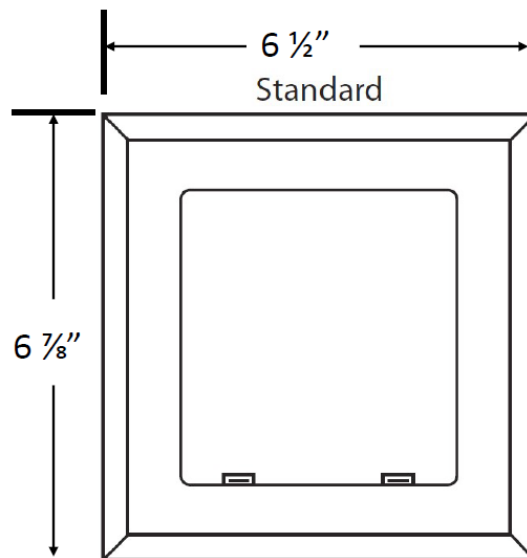
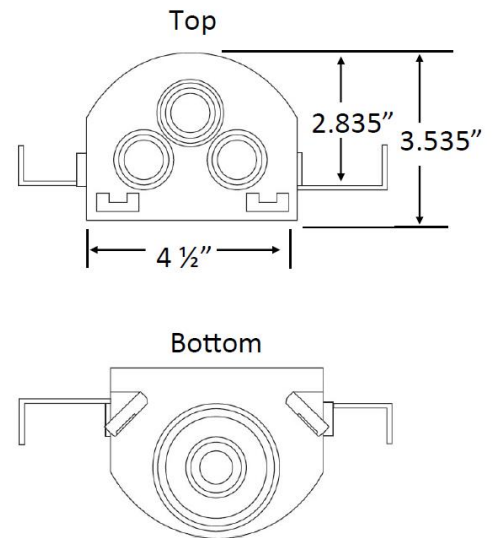
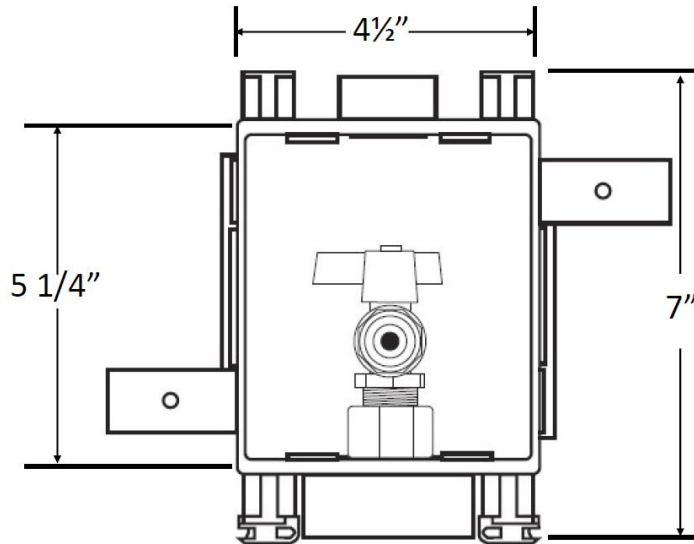
See warranty information for more details.

All dimensions listed are nominal. MAINLINE® reserves the right to make product and material changes at any time without notice.

Contact your sales representative for more information or visit our website at mainlinecollection.com

MultiBox™, Gas Outlet Box System

Product Specifications



Warranty

See warranty information for more details.

All dimensions listed are nominal. MAINLINE® reserves the right to make product and material changes at any time without notice.

Contact your sales representative for more information or visit our website at mainlinecollection.com