

# MultiBox™, Angle Stop Outlet Box System with Quarter Turn Valves



## Product Specifications

### Product Features:

- Furnish and install MultiBox™ Angle Stop Outlet Box
- Unit shall be MAINLINE® product code checked below, as manufactured by IPS Corporation.

### Box/Frame Material:

- PVC

### Valve:



- Lead free Qtr. Turn Valves with 3/8" Compression Outlet available for Sweat, CPVC, PEX or Wirsbo connection as checked below
- Valves comply with ASME A112.18.1/CSA B125.1-05, NSF61-NSF/ANSI 372, and meets California No Lead Plumbing Law.



### Available Accessories:

- 3 Universal Faceplates: Open, Solid and Louvered Stabilizer Bar

### Certifications:

- Box 
- Valve 

To Submit	Product Code #	Product Description	Model #	Units/Case
	ML83187	Angle Stop, Qtr-turn Valves, 3/8" Sweat Connection	AS1200	10
	ML83188	Angle Stop, Qtr-turn Valves, 3/8" CPVC Connection	AS1201	10
	ML83189	Angle Stop, Qtr-turn Valves, 3/8" PEX Connection	AS1202	10
	ML83190	Angle Stop, Qtr-turn Valves, 3/8" Wirsbo Connection	AS1211	10

### Warranty

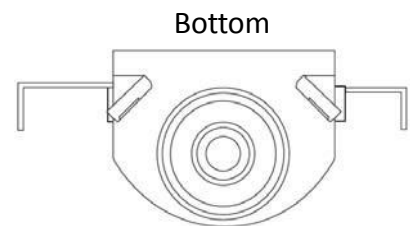
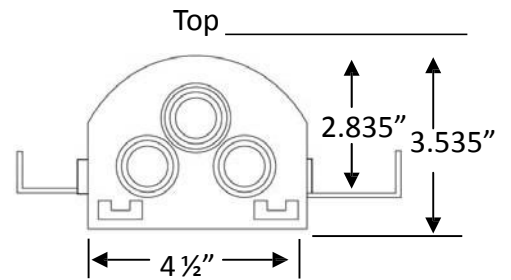
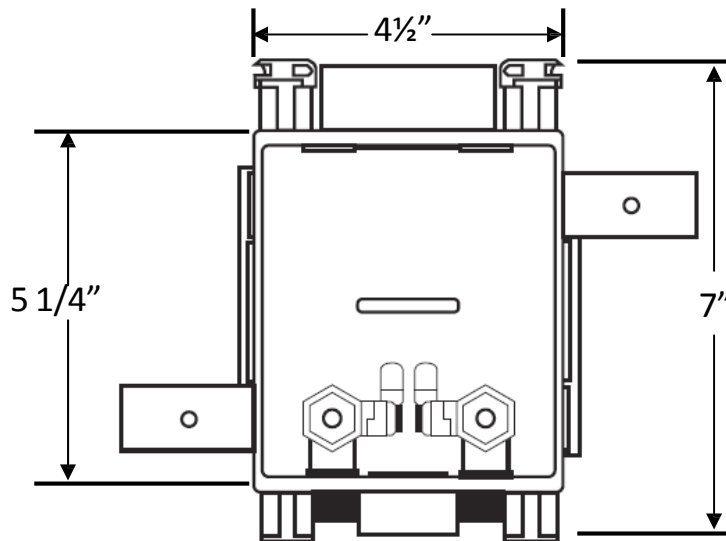
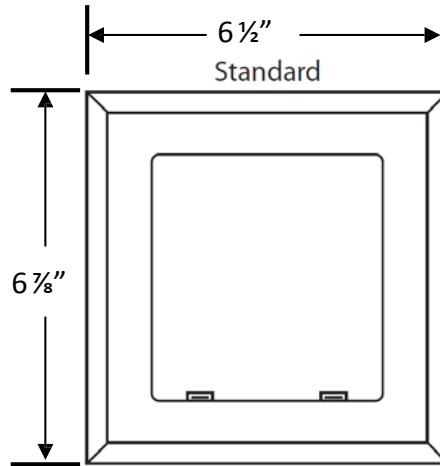
See warranty information for more details.

All dimensions listed are nominal. MAINLINE® reserves the right to make product and material changes at any time without notice.

Contact your sales representative for more information or visit our website at [mainlinecollection.com](http://mainlinecollection.com)

# MultiBox™, Angle Stop Outlet Box System with Quarter Turn Valves

Product Specifications



## Warranty

See warranty information for more details.

All dimensions listed are nominal. MAINLINE® reserves the right to make product and material changes at any time without notice.

Contact your sales representative for more information or visit our website at [mainlinecollection.com](http://mainlinecollection.com)