

# MultiBox™, Ice Maker Outlet Box System with Quarter Turn Valve



## Product Specifications

### Product Features:

- Furnish and install MultiBox™ Ice Maker Outlet Box
- Unit shall be MAINLINE® product code checked below, as manufactured by IPS Corporation.

### Box/Frame Material:

- PVC



### Valve:

- Lead free Qtr. Turn Valve with Sweat, CPVC, PEX or Wirsbo connection as checked below
- Valve complies with ASME A112.18.1/CSA B125.1-05, NSF61-NSF/ANSI 372, and meets California No Lead Plumbing Law.

### Available Accessories:

- 3 Universal Faceplates: Open, Solid and Louvered Stabilizer Bar

### Certifications:

- Box 
- Valve  



To Submit	Product Code #	Product Description	Model #	Units/Case
	ML82926	IMOB, Qtr-turn Valve, 1/2" Sweat Connection, CP	AB1200CP	10
	ML82927	IMOB, Qtr-turn Valve, 1/2" CPVC Connection, CP	AB1201CP	10
	ML82928	IMOB, Qtr-turn Valve, 1/2" PEX Connection, CP	AB1202CP	10
	ML82929	IMOB, Qtr-turn Valve, 1/2" WirsboConnection, CP	AB1211CP	10

## Warranty

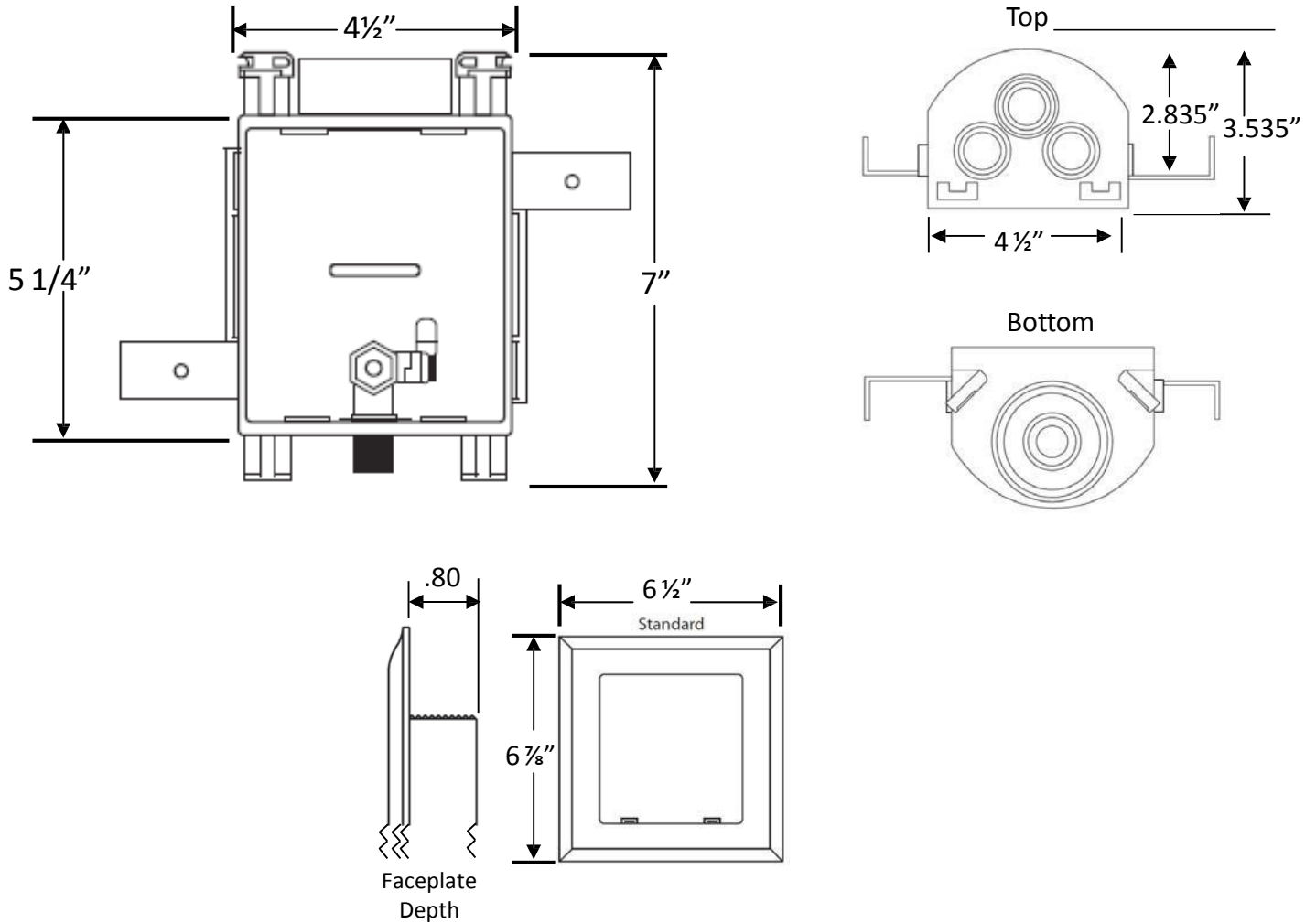
See warranty information for more details.

All dimensions listed are nominal. MAINLINE® reserves the right to make product and material changes at any time without notice.

Contact your sales representative for more information or visit our website at [mainlinecollection.com](http://mainlinecollection.com)

# MultiBox™, Ice Maker Outlet Box System with Quarter Turn Valve

Product Specifications



## Warranty

See warranty information for more details.

All dimensions listed are nominal. MAINLINE® reserves the right to make product and material changes at any time without notice.

Contact your sales representative for more information or visit our website at [mainlinecollection.com](http://mainlinecollection.com)