

Fig. 67

Pipe or Conduit Hanger

Size Range: 1/2" through 6"

Material: Carbon steel

Finish: Zinc Plated (Hot-Dip Galvanized optional)

Service: Can be suspended by hanger rod or attached to wall. "T" slot in hanger permits side bolt to be installed after installation and setting of pipe.

Approvals: Complies with Federal Specification A-A-1192A (Type 5), ANSI/MSS SP-69 and MSS SP-58 (Type 5).

Components: Strap and bolt with nut – assembled.

Ordering: Specify pipe size, figure number and name.

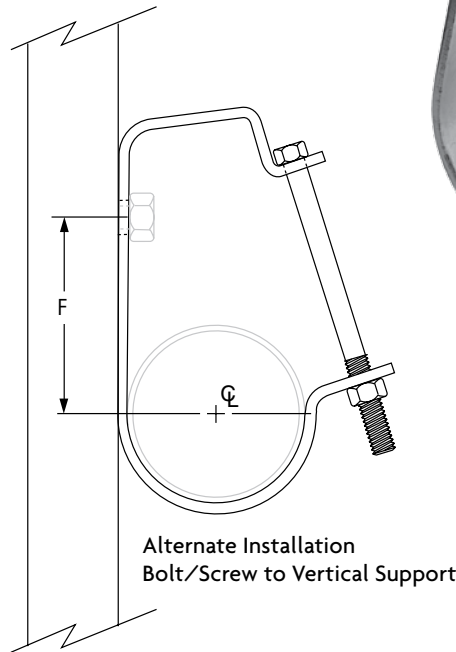
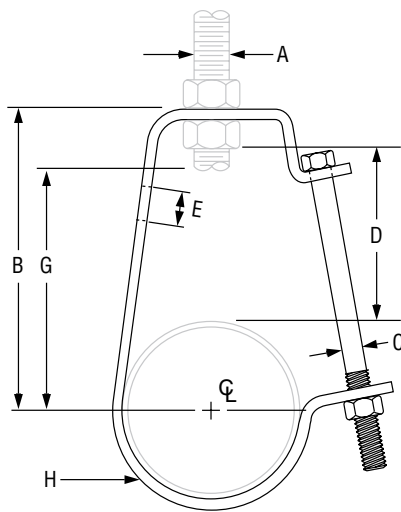


FIG. 67: LOADS (LBS) • WEIGHT (LBS) • DIMENSIONS (IN)

Pipe Size	Load Rating	Weight	Rod Size A	B	C	D	E	F	G	H Width
1/2	400	0.21	3/8	2 ⁵ / ₈	1/4	1 ³ / ₄	7/16	1 ¹ / ₂	1 ¹⁵ / ₁₆	1
3/4		0.22		2 ⁷ / ₈		1 ⁷ / ₈		1 ¹¹ / ₁₆	2 ¹ / ₈	
1		0.25		2 ¹⁵ / ₁₆		1 ¹⁵ / ₁₆		1 ¹³ / ₁₆	2 ⁵ / ₁₆	
1 ¹ / ₄		0.27		3 ¹ / ₄		2		2 ¹ / ₁₆	2 ⁵ / ₈	
1 ¹ / ₂		0.29		3 ⁹ / ₁₆		2 ³ / ₁₆		2 ⁷ / ₁₆	2 ⁷ / ₈	
2	0.31	3 ¹¹ / ₁₆	2 ¹ / ₈	2 ⁹ / ₁₆	3 ¹ / ₁₆					
2 ¹ / ₂	500	0.71	1/2	4 ⁷ / ₁₆	3/8	2 ⁷ / ₁₆	9/16	3 ³ / ₁₆	3 ⁵ / ₈	1 ¹ / ₄
3		0.78		4 ¹³ / ₁₆		2 ⁹ / ₁₆		3 ¹ / ₂	4 ¹ / ₁₆	
4	550	1.39	5/8	6 ¹ / ₈	3/8	3 ³ / ₁₆	9/16	4 ⁵ / ₈	5 ³ / ₁₆	1 ¹ / ₄
5		1.66		6 ³ / ₄		3 ¹ / ₄		5 ¹ / ₁₆	5 ³ / ₄	
6	600	2.26	3/4	7 ³ / ₄		3 ⁹ / ₁₆		5 ¹³ / ₁₆	6 ⁵ / ₈	

PROJECT INFORMATION		APPROVAL STAMP	
Project:		<input type="checkbox"/> Approved	
Address:		<input type="checkbox"/> Approved as noted	
Contractor:		<input type="checkbox"/> Not approved	
Engineer:		Remarks:	
Submittal Date:			
Notes 1:			
Notes 2:			