

Lead Free* Brass Tankless Water Heater Valve Kit, Press x FIP



Product Specifications

Page 1 of 2

✓ To Submit	Part #	Size
	ML3430RAB	3/4"

Product Features, Hot Water Valve:

- Press x FIP Ends
- Lead Free Brass Construction
- 600# WOG (non-shock)
- 1/4 Turn Operation
- Full Port
- Adjustable Packing
- Blow-Out Proof Stem
- Integral Hose End Drain/Purge Valve
- Integral 3/4" Relief Valve Port
- AB1953, NSF/ANSI 61 & 372 Certified

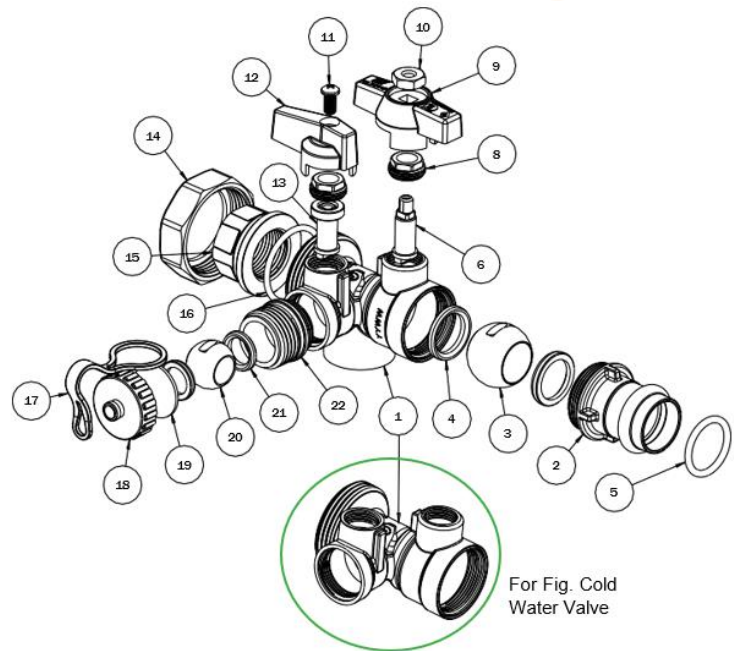
Kit Contents:

- Hot Valve, with 200K BTU/HR Pressure Relief Valve
- Cold Valve



Materials & Specifications:

Item	Description	Material	Specification
1	Body	Lead Free Brass	ASTM B927 C27450
2	Fixed End	DZR Lead Free Brass	ASTM B927 C27450
3	Ball	Lead Free Brass / Cr Plated	ASTM B927 C27450
4	Seat	PTFE	PTFE
5	O-ring	EPDM Perox	NSF approved
6	Stem	Lead Free Brass	ASTM B927 C27450
7	Packing Ring	PTFE	PTFE
8	Packing Nut	Brass	ASTM B124 C37700
9	T-handle	Aluminum	ASTM B85
10	Handle Nut	Steel / Zn Plated	ASTM A36
11	Handle Screw	Steel / Zn Plated	ASTM A36
12	Handle	Aluminum	ASTM B85
13	Stem	Lead Free Brass	ASTM B927 C27450
14	Union Nut	Brass	ASTM B283 C37700
15	Union	Lead Free Brass	ASTM B927 C27450
16	O-Ring	EPDM Perox	NSF approved
17	Cap Retainer	Rubber	-
18	Drain Cap	Brass	ASTM B283 C37700
19	Drain Gasket	EPDM Perox	NSF approved
20	Ball	Lead Free Brass / Cr Plated	ASTM B927 C27450
21	Seat	PTFE	PTFE
22	Fixed End	Lead Free Brass	ASTM B927 C27450

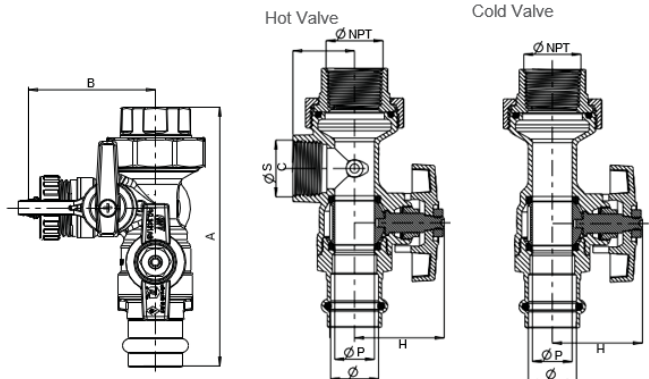


For Fig. Cold Water Valve

Dimensions (inches), Weights (lbs.), & Valve Data:

Size	φNPT	φSC	φ	φP	A	B	C	H	Wt.*
	[in]	[in]	[in]	[in]	[in]	[in]	[in]	[in]	(lb)
3/4"	3/4-14NPT	3/4-14NPT	0.86	0.73	4.78	2.35	1.14	1.66	1.80/1.68

*Hot Valve/Cold Valve



Warranty

See warranty information for more details.

All dimensions listed are nominal. MAINLINE® reserves the right to make product and material changes at any time without notice. NSF/ANSI 61 & 372



Contact your sales representative for more information or visit our website at mainlinecollection.com