



Angle Gas Ball Valve

Product Specifications

MAINLINE®

✓ To Submit	Part #	Size
	ML5241-1/2	1/2"
	ML5241-3/4	3/4"

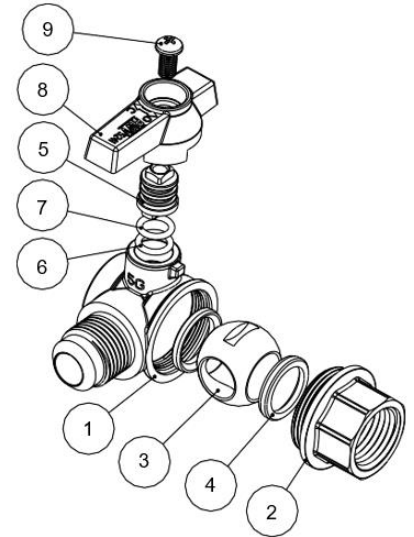
Product Features:

- 175# PSI
- 2-Piece Brass Body
- Flare x Flare
- Flared Ends
- Chrome plated ball
- ANSI Z21.15 / CGA 9.1
- CSA ½ & 5 psi
- CSA ΔC (⅜" & ½" only)



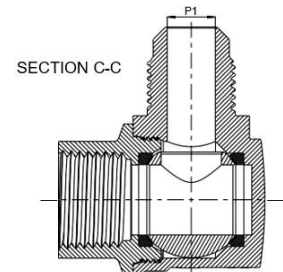
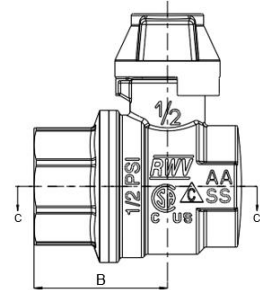
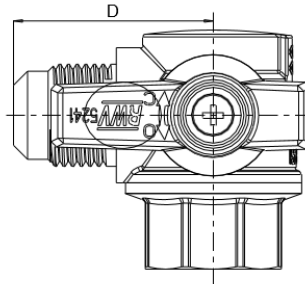
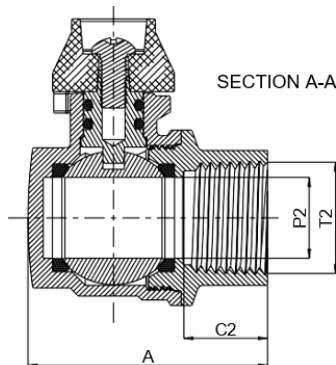
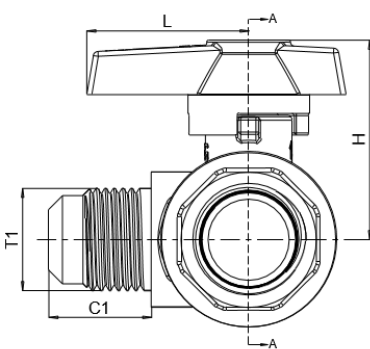
Materials & Specifications:

Item	Description	Material	Specification
1	Body	Brass	ASTM B283 C37700
2	End Piece	Brass	ASTM B283 C37700
3	Ball	Brass / Cr Plated	ASTM B124 C37700
4	Seat	PTFE	-
5	Stem	Brass	ASTM B124 C37700
6	O-Ring	FKM	-
7	O-Ring	HNBR 70SH	-
8	Handle	Aluminum	ASTM B85 A03840
9	Handle Screw	Steel / Zn Plated	ASTM A36



Dimensions (inches), Weights (lbs.), & Valve Data:

Size	T1	T2	A	B	D	C1	C2	H	L	P1	P2	Wt.
			[in]	[in]	[in]	[in]	[in]	[in]	[in]	[in]	[in]	[lb]
½"	¾ - 16 UNF	½ - 14 NPT	1.74	1.12	1.46	0.75	0.61	1.45	1.18	0.41	0.59	0.44
¾"	1⅝ - 16 UN	¾ - 14 NPT	1.76	1.14	1.59	0.88	0.63	1.45	1.18	0.50	0.59	0.54



Warranty

See warranty information for more details.

All dimensions listed are nominal. MAINLINE® reserves the right to make product and material changes at any time without notice.



Contact your sales representative for more information or visit our website at mainlinecollection.com