



Lead Free* Brass Ball Valve, Solder

Product Specifications

✓ To Submit	Part #	Size
	ML5549AB-1/2	1/2"
	ML5549AB-3/4	3/4"
	ML5549AB-1	1"
	ML5549AB-1 1/4	1-1/4"
	ML5549AB-1 1/2	1-1/2"
	ML5549AB-2	2"
	ML5549AB-2 1/2	2-1/2"
	ML5549AB-3	3"
	ML5549AB-4	4"

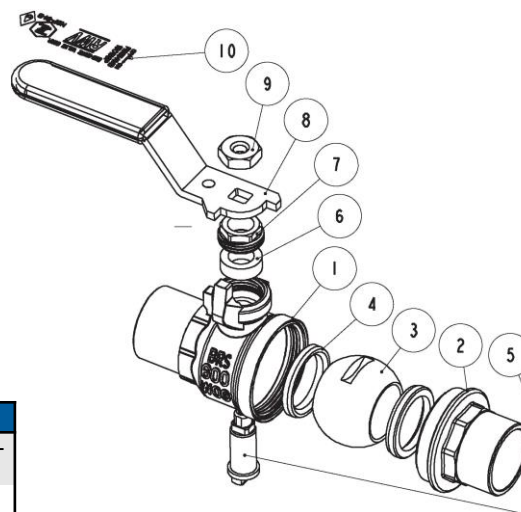
Product Features:

- 150# WSP / 600# WOG
- Forged Brass Body
- Full Port
- Adjustable Packing
- Blow-Out Proof Stem
- MSS-SP-110
- CSA 1/2 & 5 PSI (1/4"-3")
- UL Approved 1/2"-2"
- FM Approved 1/2"-2"
- AB1953, NSF-61, NSF-372 Certified



Materials & Specifications:

Item	Description	Material	Specification
1	Body	Low Lead Brass	C28500
2	End Piece	Low Lead Brass	C28500
3	Ball	Low Lead Brass / Cr Plated	C28500
4	Seat	PTFE	PTFE
5	Stem	Low Lead Brass	C28500
6	Packing Ring	PTFE	PTFE
7	Packing Nut	Brass	B124 C37700
8	Handle	Steel / De Plated	A36 Dacromet
9	Handle Nut	Steel / Zn Plated	A36
10	Valve Info	-	-



Dimensions (inches), Weights (lbs.), & Valve Data:

Size	1/2"	3/4"	1"	1-1/4"	1-1/2"	2"	2-1/2"	3"	4"
Ø	0.627 - 0.631	0.877 - 0.881	1.128 - 1.131	1.378 - 1.381	1.628 - 1.632	2.128 - 2.132	2.628 - 2.632	3.128 - 3.132	4.128 - 4.133
A	2.13	2.87	3.39	3.9	4.53	5.51	6.65	7.72	9.34
C	0.51	0.75	0.91	0.98	1.09	1.34	1.5	1.69	2.17
H	2.11	2.24	2.56	2.78	3.27	3.57	4.68	5.13	5.64
L	3.6	3.6	4.98	4.98	5.57	5.57	11.07	11.07	11.07
P	0.59	0.79	0.98	1.26	1.57	1.97	2.56	3.07	3.94
Cv	15	30	60	110	130	360	450	620	1200
Wt	0.45	0.65	1.04	1.58	2.52	3.52	7.48	11.31	17.31

Connection Working Pressure:

Solder used in joints	Working Temp °F	Maximum working pressure (PSI)		
		3/8" - 1"	1-1/4" - 2"	2-1/2" - 4"
95-5 Tin	100	500	400	300
Antimony	150	400	350	275
(ASTM B32 grade 95TA)	200	300	250	200
	250	200	175	150

Pressure/Temperature Ratings	
600 PSI from 15°F to 160°F	150 PSI Max at 366°F

Warranty

See warranty information for more details.

All dimensions listed are nominal. MAINLINE® reserves the right to make product and material changes at any time without notice.

Contact your sales representative for more information or visit our website at mainlinecollection.com

