

Lead Free* Brass Tankless Water Heater Valve Kit, FNPT x Solder



Product Specifications

Page 1 of 2

✓ To Submit	Part #	Size
	ML3400RAB	3/4"

Product Features, Hot Water Valve:

- FNPT x Solder Ends
- Forged Brass Construction
- 600# WOG Rating (non-shock)
- 1/4 Turn Operation
- Virgin PTFE Seats
- Adjustable Packing
- Blow-Out Proof Stem
- Integral Hose End Drain/Purge Port with Cap
- Hot Valve with Integral 3/4" FNPT Relief Valve Port
- AB1953, NSF-61 & NSF-372 Certified

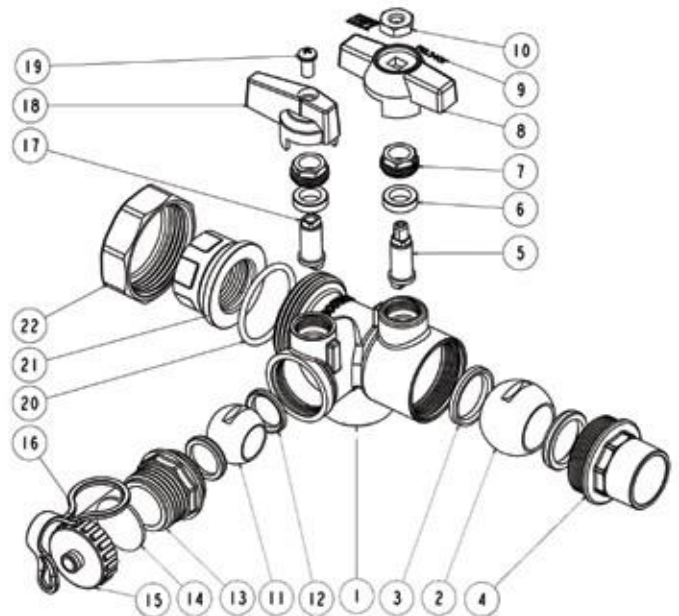
Kit Contents:

- Hot Valve, with 200K BTU/HR Pressure Relief Valve
- Cold Valve



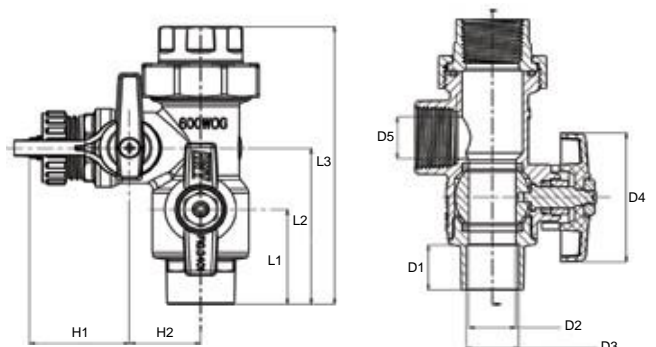
Materials & Specifications:

Item	Description	Material	Specification
1	Body	Low Lead Brass	CW510L
2	Ball	Low Lead Brass / Cr Plated	CW510L
3	Seat	PTFE	PTFE
4	Fixed End	Low Lead Brass	CW510L
5	Stem	Low Lead Brass	CW510L
6	Packing Ring	PTFE	PTFE
7	Packing Nut	Brass	B124 C37700
8	Red T-handle	Aluminum	ASTM B85
9	Valve Info	-	-
10	Handle Nut	Steel / Zn Plated	ASTM A36
11	Ball	Low Lead Brass / Cr Plated	CW510L
12	Seat	PTFE	PTFE
13	Fixed End	Low Lead Brass	CW510L
14	Drain Gasket	EPDM Perox	NSF Approved
15	Drain Cap	Brass	B283 C37700
16	Cap Retainer	Rubber	-
17	Stem	Low Lead Brass	CW510L
18	Red L-handle	Aluminum	ASTM B85
19	Handle Screw	Steel / Zn Plated	ASTM A36
20	O-ring	EPDM Perox	NSF Approved
21	Union	Brass	B283 C37700
22	Union Nut	Brass	B283 C37700



Dimensions (inches), Weights (lbs.), & Valve Data:

Size	H1	H2	L1	L2	L3	D1	D2	D3	D4	D5	Wt.
3/4"	1.56	1.1	1.56	2.56	4.55	0.75	0.79	0.88	2.17	0.71	1.8
1"	1.48	1.18	1.69	2.76	4.59	0.91	0.98	1.13	3.23	0.73	1.96



Warranty

See warranty information for more details.



All dimensions listed are nominal. MAINLINE® reserves the right to make product and material changes at any time without notice.

Contact your sales representative for more information or visit our website at mainlinecollection.com

Lead Free* Brass Tankless Water Heater Valve Kit, FNPT x Solder



Product Specifications

Page 2 of 2

✓ To Submit	Part #	Size
	ML3400RAB	3/4"

Product Features, Cold Water Valve:

- FNPT x Solder Ends
- Forged Brass Construction
- 600# WOG Rating (non-shock)
- 1/4 Turn Operation
- Virgin PTFE Seats
- Adjustable Packing
- Blow-Out Proof Stem
- Integral Hose End Drain/Purge Port with Cap
- Cold Valve Operation
- AB1953, NSF-61 & NSF-372 Certified

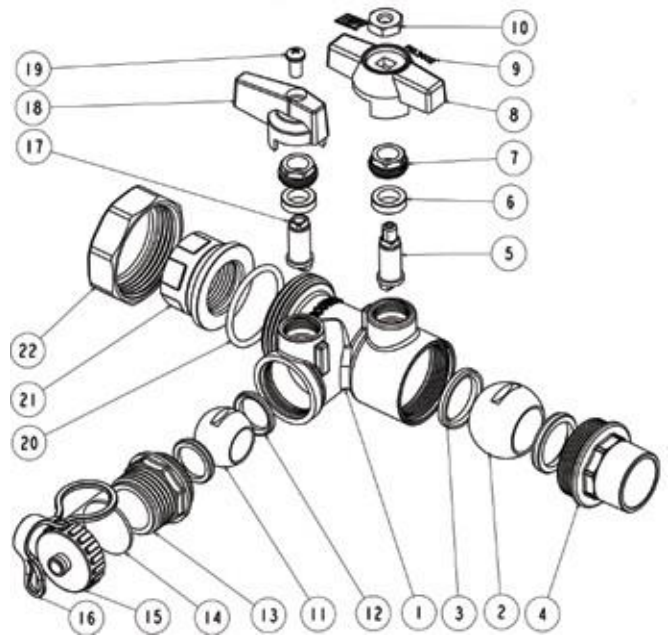
Kit Contents:

- Hot Valve, with 200K BTU/HR Pressure Relief Valve
- Cold Valve



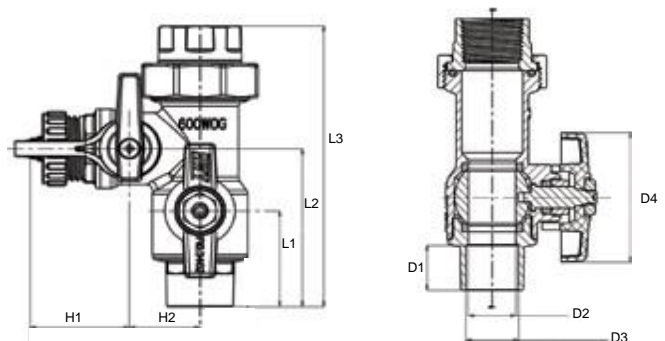
Materials & Specifications:

Item	Description	Material	Specification
1	Body	Low Lead Brass	CW510L
2	Ball	Low Lead Brass / Cr Plated	CW510L
3	Seat	PTFE	PTFE
4	End Cap	Low Lead Brass	CW510L
5	Stem	Low Lead Brass	CW510L
6	Packing Ring	PTFE	PTFE
7	Packing Nut	Brass	B124 C37700
8	Blue T-handle	Aluminum	ASTM B85
9	Valve Info	-	-
10	Handle Nut	Steel / Zn Plated	ASTM A36
11	Ball	Low Lead Brass / Cr Plated	CW510L
12	Seat	PTFE	PTFE
13	End Cap	Low Lead Brass	CW510L
14	Drain Gasket	EPDM Perox	NSF Approved
15	Drain Cap	Brass	B283 C37700
16	Cap Retainer	Rubber	-
17	Stem	Low Lead Brass	CW510L
18	Blue L-handle	Aluminum	ASTM B85
19	Handle Screw	Steel / Zn Plated	ASTM A36
20	O-ring	EPDM Perox	NSF Approved
21	Union	Brass	B283 C37700
22	Union Nut	Brass	B283 C37700



Dimensions (inches), Weights (lbs.), & Valve Data:

Size	H1	H2	L1	L2	L3	D1	D2	D3	D4	Wt.
3/4"	1.56	1.1	1.56	2.56	4.55	0.75	0.79	0.88	2.17	1.69
1"	1.48	1.18	1.69	2.76	4.59	0.91	0.98	1.13	3.23	1.83



Warranty

See warranty information for more details.



All dimensions listed are nominal. MAINLINE® reserves the right to make product and material changes at any time without notice.

Contact your sales representative for more information or visit our website at mainlinecollection.com