



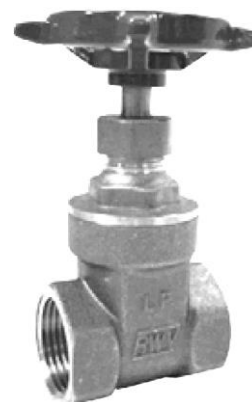
# Lead Free\* Brass Gate Valve, Threaded

## Product Specifications

| ✓ To Submit | Part #       | Size   |
|-------------|--------------|--------|
|             | ML267AB-1/2  | 1/2"   |
|             | ML267AB-3/4  | 3/4"   |
|             | ML267AB-1    | 1"     |
|             | ML267AB-11/4 | 1-1/4" |
|             | ML267AB-11/2 | 1-1/2" |
|             | ML267AB-2    | 2"     |

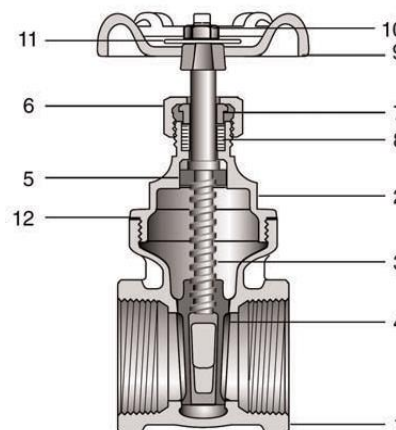
### Product Features:

- 200# WOG
- Low Lead Brass Body
- Non-Rising Stem
- Solid Wedge Disc
- Inserted Bonnet
- Threaded Ends
- AB1953, NSF-61 & NSF-372 Certified



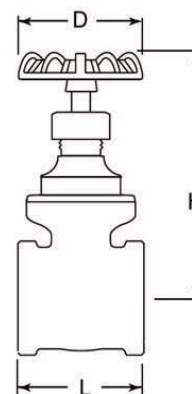
### Materials & Specifications:

| Item | Description | Material       | Specification |
|------|-------------|----------------|---------------|
| 1    | Body        | Low Lead Brass | CW510L        |
| 2    | Bonnet      | Low Lead Brass | CW510L        |
| 3    | Stem        | Low Lead Brass | CW510L        |
| 4    | Disc        | Low Lead Brass | CW510L        |
| 5    | Lock Nut    | Low Lead Brass | CW510L        |
| 6    | Gland Nut   | Brass          | B124          |
| 7    | Gland       | Brass          | B124          |
| 8    | Packing     | PTFE           | -             |
| 9    | Hand Wheel  | Aluminum       | -             |
| 10   | Nut         | Steel          | A36           |
| 11   | Tag         | Aluminum       | -             |
| 12   | Gasket      | PTFE           | -             |



### Dimensions (inches), Weights (lbs.), & Valve Data:

| Size | 1/2" | 3/4" | 1"   | 1-1/4" | 1-1/2" | 2"   |
|------|------|------|------|--------|--------|------|
| D    | 1.78 | 1.78 | 2.05 | 2.38   | 2.38   | 2.12 |
| H    | 2.75 | 3.18 | 3.5  | 4.35   | 4.75   | 5.6  |
| L    | 1.67 | 1.77 | 2.03 | 2.25   | 2.37   | 2.6  |
| Wt   | 0.4  | 0.6  | 0.9  | 1.5    | 1.8    | 2.7  |



| Pressure/Temperature Ratings |                |
|------------------------------|----------------|
| 200# WOG                     | 212°F Max Temp |

### Warranty

See warranty information for more details.

All dimensions listed are nominal. MAINLINE® reserves the right to make product and material changes at any time without notice.

Contact your sales representative for more information or visit our website at [mainlinecollection.com](http://mainlinecollection.com)

