

Tube S-Trap

Product Specifications

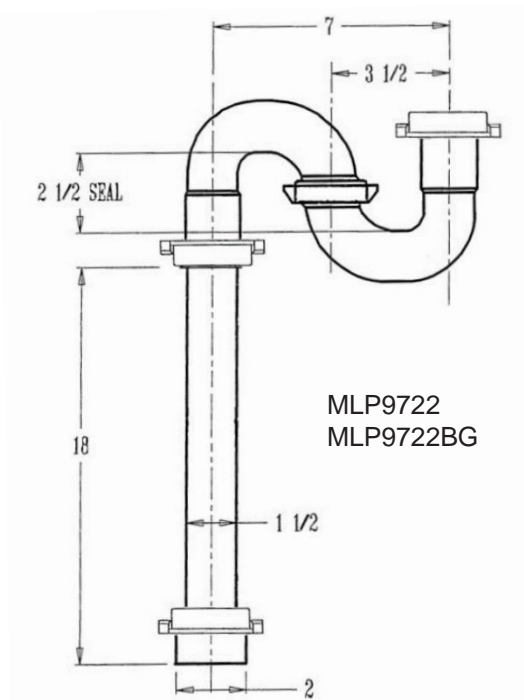


FEATURES

- 1-1/2" or 1-1/4" Poly Washers
- 1-1/2" Models Include 1-1/2" x 1-1/4" Reducing Washer



| ✓ To Submit | Part # | Description | Pkg |
|-------------|-----------|--|-----|
| | MLP9722 | 1-1/2" PVC Tube S-Trap With Adapter | Box |
| | MLP9722BG | 1-1/2" PVC Tube S-Trap With Adapter | Bag |
| | MLP9720 | 1-1/2" PVC Tube S-Trap With Solvent Weld Adapter | Box |
| | MLP9719BG | 1-1/4" PVC Tube S-Trap Less Adapter | Bag |



Warranty

See warranty information for more details.

All dimensions listed are nominal. MAINLINE® reserves the right to make product and material changes at any time without notice.



Contact your sales representative for more information or visit our website at mainlinecollection.com