



1-1/4" Tubular P-Trap with Cleanout

Product Specifications

FEATURES

- 7-7/8" 17 GA Brass Wall Tube
- Includes 2 Rubber & 2 PE Washers
- Chrome Plated
- Brass Nut Kit
- Box Escutcheon

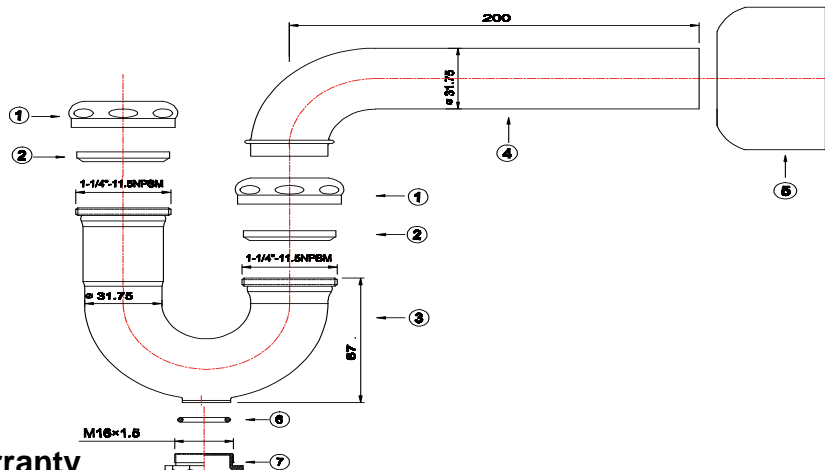
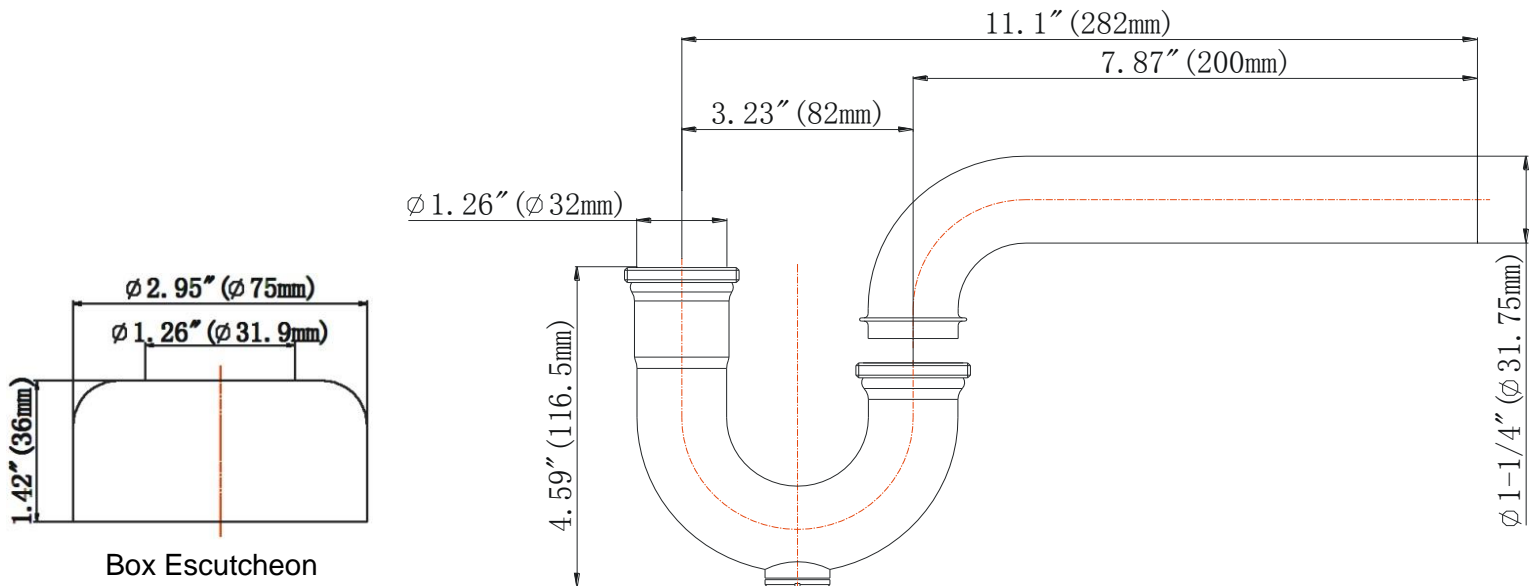


ML708BBO

APPLICABLE STANDARDS/CODES

Specified model meets or exceeds the following:

- ASME A112.18.1/CSA B125.1
- IAPMO/cUPC



Part #	Part Description	Material
1	Slip Nut	Brass
2	Washer	Rubber or PE
3	J-Bend	Cast Brass
4	Wall Tube	Brass
5	Escutcheon	Plated Steel
6	Gasket	Rubber
7	Cleanout Plug	Brass

Warranty

See warranty information for more details.

All dimensions listed are nominal. MAINLINE® reserves the right to make product and material changes at any time without notice.



Contact your sales representative for more information or visit our website at mainlinecollection.com