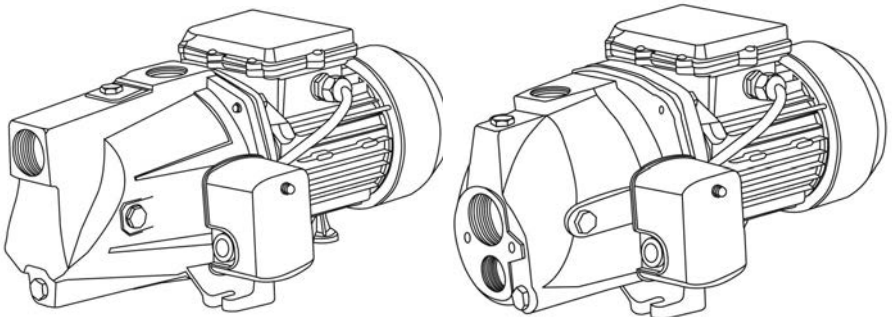





OWNER'S MANUAL
INSTALLATION AND OPERATION
INSTRUCTIONS FOR:
SHALLOW WELL &
CONVERTIBLE JET PUMPS
MLP74505, MLP74705, MLP74105,
MLP74515, MLP74715, MLP74115



Safety Guidelines

Carefully read, understand and follow all safety instructions in this manual.

 This is the safety alert symbol. When you see this symbol, look for one of the following signal words.

⚠ DANGER Indicates a hazardous situation which, if not avoided, will result in death or serious injury.

⚠ CAUTION Indicates a hazardous situation which, if not avoided, could result in death or serious injury.

⚠ WARNING Indicates a hazardous situation which, if not avoided, could result in minor or moderate injury.

Safety Information

Read these warnings carefully. Know the application and limitations of this pump. Failure to follow these warnings could result in serious bodily injury and/or property damage.

⚠ DANGER *This pump is not submersible. Do not submerge the motor in water or expose to water. Personal injury and/or death could result from electric shock.*

⚠ DANGER *Do not use to pump flammable or explosive liquids such as gasoline, kerosene, fuel oil, etc. Personal injury and / or death could result. Do not use this pump in a flammable or explosive environment. This pump is intended to pump clear water only.*

⚠ WARNING *RISK OF ELECTRICAL SHOCK. This pump has not been investigated for use in swimming pool or marine areas.*

⚠ DANGER *Do not touch this pump while standing in or walking on wet surfaces until all power is turned off. Do not touch an operating motor. Allow motor to cool before performing service. Failure to follow this warning could result in electric shock.*

Specifications

Circuit Requirements.....15 Amp

Motor Bearings.....Permanently Lubricated Ball Bearings

Models	HP	Volts	Amps	Hz	Pressure Switch	Suction/ Discharge	Construction	Max. Liquid Temp.
MLP74505	1/2	115/230	6.4/3.2	60	20/40	1-1/4" / 1"	Cast Iron	120°F
MLP74705	3/4	115/230	7.8/3.9	60	20/40	1-1/4" / 1"	Cast Iron	120°F
MLP74105	1	115/230	10/5	60	20/40	1-1/4" / 1"	Cast Iron	120°F
MLP74515	1/2	115/230	6.4/3.2	60	20/40	1-1/4" / 1"	Cast Iron	120°F
MLP74715	3/4	115/230	7.8/3.9	60	20/40	1-1/4" / 1"	Cast Iron	120°F
MLP74115	1	115/230	10/5	60	20/40	1-1/4" / 1"	Cast Iron	120°F

Installation

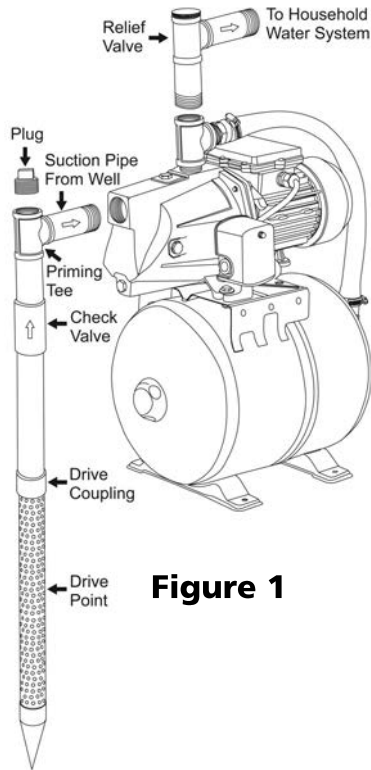
⚠ DANGER Always disconnect the power source before attempting to install, service or perform maintenance. If the power source is out of sight, lock and tag in the off position to prevent unintended power application. Failure to do so could result in fatal electric shock. All wiring should be performed by a qualified electrician.

Shallow Well Pump Installation

INSTALLING / REPLACING AN OLD PUMP

Drain and remove piping from old pump. Check the piping for rust, scale etc. Replace if necessary. Your jet pump comes ready to install for shallow well applications.

Install the new pump making sure all pipe connections are air and water tight. Use pipe joint compound or Teflon tape on all pipe connections. Make sure all piping is properly supported. **NOTE: If the suction pipe can suck air, the pump will not be able to pull water from the source.**



DRIVEN WELL POINT INSTALLATION

1. Drive the point using drive couplings and a drive cap. Do not use regular pipe fittings as the threads may strip out due to the force of driving the point.
2. Position the pump as close as possible to the water source to keep suction lift as low as possible.
3. Install a priming tee with a plug on the suction pipe from the water source as shown in Figure 1. An inline check valve should also be installed on the suction line going to the pump. Install a union or other fitting that will allow the pump to be easily disassembled from the piping for easy servicing. Make sure Teflon tape or pipe joint compound is used on all joints.
4. Run piping from the discharge tee on the pump housing to the household water piping.

Shallow Well Pump Installation

CASED WELL POINT INSTALLATION

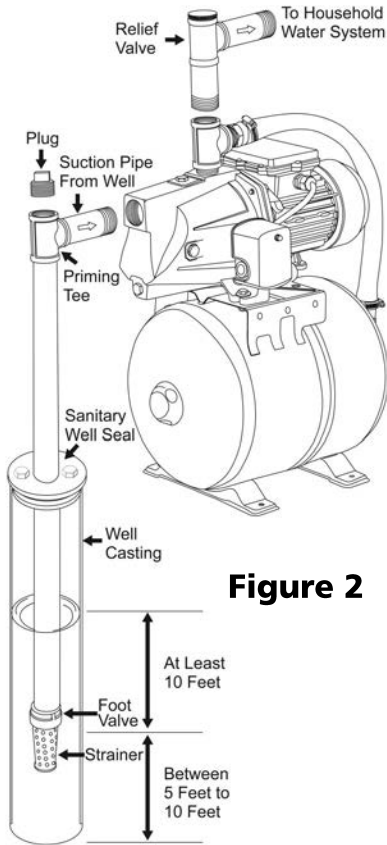


Figure 2

1. Install a foot valve with strainer on the first section of pipe and lower it into the well.
2. Add enough pipe until the foot valve is about 10 feet below the water level. Make sure the foot valve does not rest on the bottom of the well.
3. Install a priming tee with a plug on the suction pipe from the water source as shown in Figure 2. Install a union to allow the pump to be easily disassembled from the piping for easy servicing. ***Make sure Teflon tape or pipe joint compound is used on all joints. The suction pipe should be at least 1 1/4"***
4. Install a well seal to prevent debris and other contaminants from entering the well.
5. Run piping from the discharge tee on the pump housing to the household water piping.

Convertible Pump (Shallow Well) Installation

DRIVEN WELL POINT INSTALLATION

Figure 3

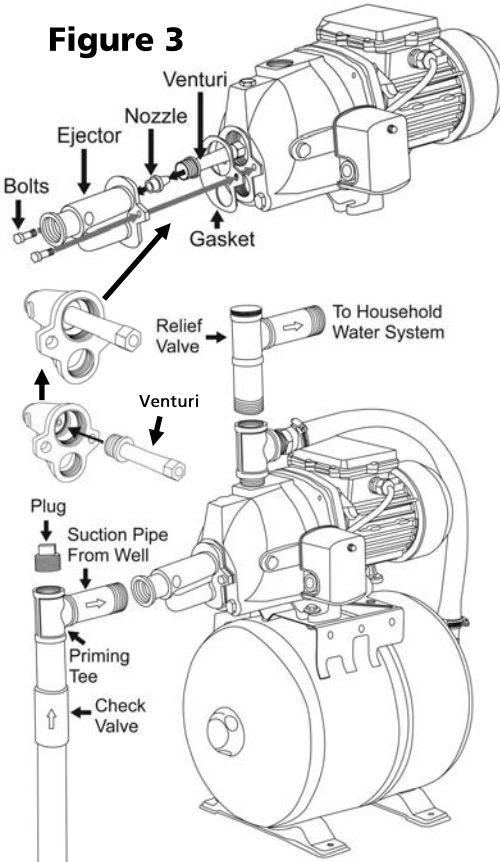


Figure 4

1. Install the ejector kit to the pump housing as shown in Figure 3.

2. Drive the point using drive couplings and a drive cap. Do not use regular pipe fittings as the threads may strip out due to the force of driving the point.

3. Position the pump as close as possible to the water source to keep suction lift as low as possible. NOTE: Long lengths of pipe and the use of many fittings will reduce water flow. Use the shortest possible length of pipe and the fewest fittings possible. The suction line should be at least as large as the suction port, in this case 1"

4. Install a priming tee with a plug on the suction pipe from the water source as shown in Figure 4. An inline check valve should also be installed on the suction line going to the pump. Install a union or other fitting that will allow the pump to be easily disassembled from the piping for easy servicing. Make sure Teflon tape or pipe joint compound is used on all joints.

5. Run piping from the discharge tee on the pump housing to the household water piping.

Convertible Pump (Shallow Well) Installation

2" OR LARGER CASED WELL

Figure 5

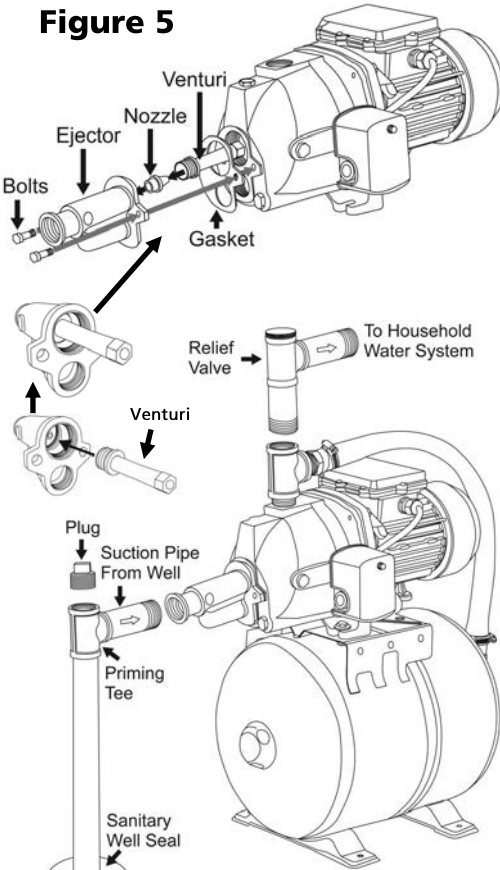
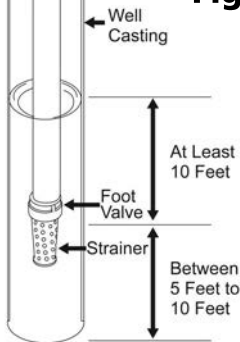


Figure 6



1. Install the ejector kit to the pump housing as shown in Figure 5.

2. Drive the point using drive couplings and a drive cap. Do not use regular pipe fittings as the threads may strip out due to the force of driving the point.

3. Position the pump as close as possible to the water source to keep suction lift as low as possible. NOTE: Long lengths of pipe and the use of many fittings will reduce water flow. Use the shortest possible length of pipe and the fewest fittings possible. The suction line should be at least as large as the suction port, in this case 1"

4. Install a priming tee with a plug on the suction pipe from the water source as shown in Figure 6. An inline check valve should also be installed on the suction line going to the pump. Install a union or other fitting that will allow the pump to be easily disassembled from the piping for easy servicing. Make sure Teflon tape or pipe joint compound is used on all joints.

5. Run piping from the discharge tee on the pump housing to the household water piping.

Convertible Pump (Deep Well) Installation

4" OR LARGER CASED WELL

1. Install a foot valve with strainer to the bottom of the Ejector.
2. Connect the drive pipe and suction pipe to the deep well ejector as shown in Figure 7.
3. Add enough pipe until the foot valve is about 10 feet below the water level. Make sure the foot valve does not rest on the bottom of the well.
4. Install a well seal to prevent debris and other contaminants from entering the well.
5. Run piping from the discharge tee on the pump housing to the household water piping.

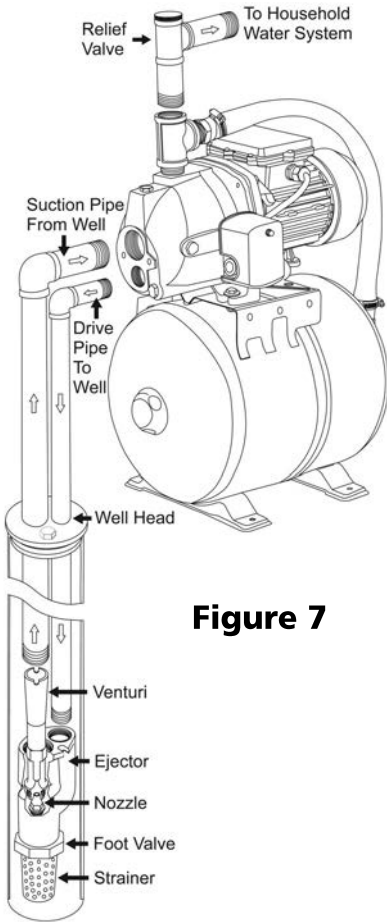


Figure 7

Pressure Switch Adjustment

1. The pressure switch comes preset from the factory with a 20/40 psi setting (Figure 8).
2. To increase the cut on & cut off pressure, turn Nut #1 clockwise.
3. To increase the cut off pressure only, turn Nut #2 clockwise.

NOTE: Make small adjustment and test after each adjustment until desired levels are reached.

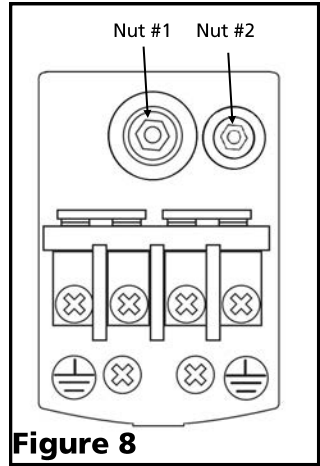


Figure 8

Electrical Connections

⚠ CAUTION Risk Of Fire. Never connect a 230 volt line to a 115 volt motor.

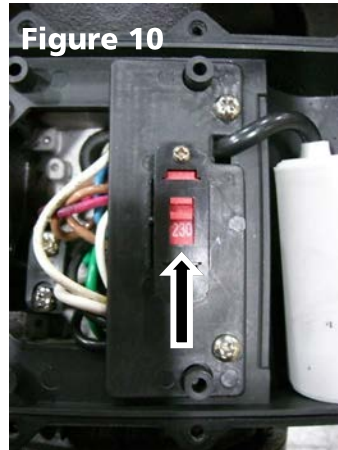
Check Voltage Setting Switch

TURN OFF POWER SUPPLY TO PUMP!!

NOTE: The voltage switch is factory set for 115 volt service. If you have 115 volt service do not change the voltage switch (Figure 9 & 10).



The voltage switch is factory set for 115 volt service.



To change to 230 volt operation slide the voltage switch to "230" volts

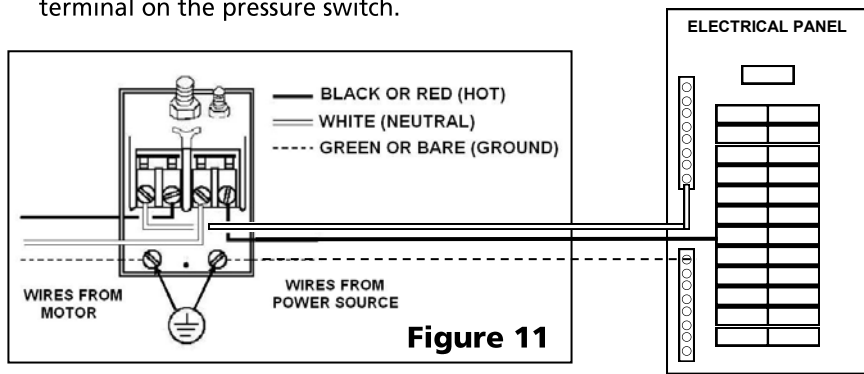
Use the chart below to determine what gauge wire you should be used in your installation.

HP	Volts	Amps	Distance in Feet from Motor to Power Supply Wire Size (AWG)			
			0-100'	101-200'	201-300'	301-400'
1/2	115/230	6.4/3.2	14	12	10	8
3/4	115/230	7.8/3.9	14	12	10	8
1	115/230	10/5	14	12	10	8

Electrical Connections (continued)

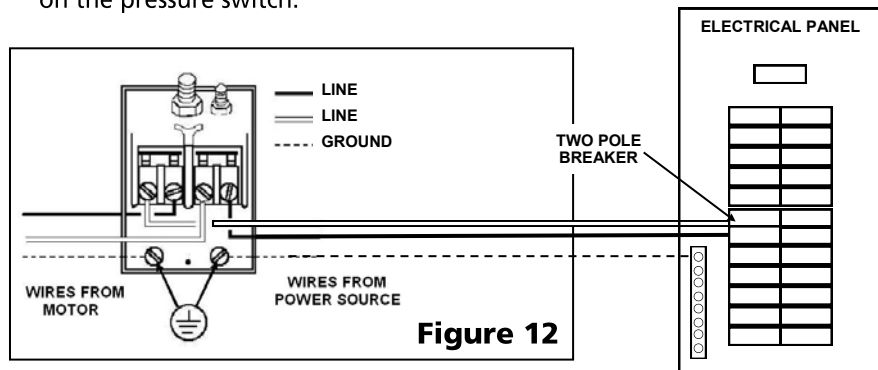
115 VOLT CONNECTION

1. Connect the ground wire from the power source to the ground terminal on the pressure switch. Make sure the ground from the power source is connected to a grounded terminal in the service panel, a metal underground water pipe, a metal well casing, or a grounding rod.
2. Connect one hot wire (usually black or red) from the power source to one of the screw terminals on the pressure switch. It doesn't matter which one. Follow wiring diagram in Figure 11.
3. Connect the white (neutral) wire from the power source to the other screw terminal on the pressure switch.



230 VOLT CONNECTION

1. Connect the ground wire from the power source to the ground terminal on the pressure switch. Make sure the ground from the power source is connected to a grounded terminal in the service panel, a metal underground water pipe, a metal well casing, or a grounding rod.
2. Connect one hot wire (usually black or red) from the power source to one of the screw terminals on the pressure switch. It doesn't matter which one. Follow wiring diagram in Figure 12.
3. Connect the other hot wire from the power source to the other screw terminal on the pressure switch.



▲ WARNING

Never run your pump dry. Damage to the internal parts of the pump could result and void the warranty.

▲ WARNING

Never run the pump with the discharge side of the pump closed. The water inside the pump may boil and reach dangerous pressures which may result in severe burns if handled.

How to prime your jet pump

1. Remove the top plug on the discharge port of the pump (shallow well) or the manual regulator (deep well) and fill the pump and all piping with water. Use a funnel if necessary. If you installed a priming tee on the suction side, remove the plug and fill all piping.
2. Replace all plugs making sure all joints are air and water tight. Use Teflon tape or pipe joint compound.
3. Open a faucet to vent the system of air.
4. Turn on the pump. Water should be pumped within 1-2 minutes. If there is no water being pumped after 2 minutes, turn the pump off and repeat the above steps. NOTE: if you are pumping from a depth of 20' or more it may take several attempts to prime your pump.
5. Once the pump is moving water, let the system operate for a few minutes to flush all air out of the pipes.
6. Close the faucet and let pressure build in the tank. Once the pressure reaches the cut-off setting on the pressure switch, the pump will stop. NOTE: You may want to install a pressure gauge (not included) to adjust the pressure to meet your needs.
7. Test the system and pressure switch by opening a faucet to let water drain from the tank. The pump should start once the pressure reaches 20 PSI, +/- 2 PSI and stop once the pressure reaches 40 PSI, +/- 2 PSI.

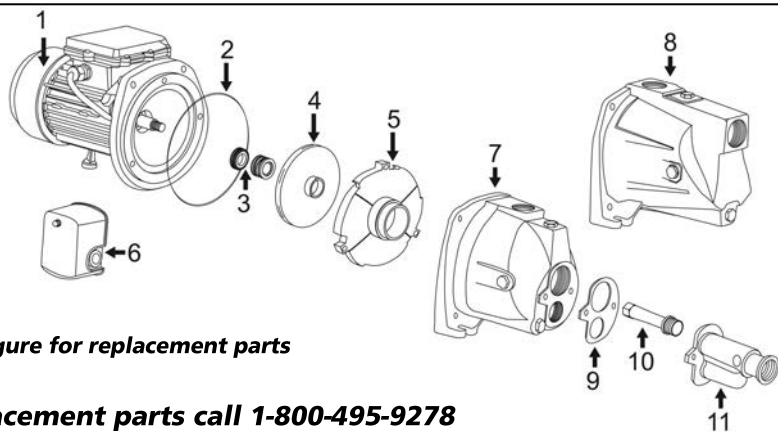


Figure for replacement parts

Replacement parts call 1-800-495-9278

Ref#	Description	MLP74505	MLP74705	MLP74105	MLP74515	MLP74715	MLP74115
1	Motor	*	*	*	*	*	*
2	O-ring	99226	99226	99226	99226	99226	99226
3	Shaft Seal	99225	99225	99225	99225	99225	99225
4	Impeller	99228	99224	99224	99228	99224	99224
5	Diffuser	99229	99229	99229	99235	99235	99235
6	Pressure Switch	99230	99230	99230	99230	99230	99230
7	Pump Housing (Convertible Pump)	n/a	n/a	n/a	99231	99231	99231
8	Pump Housing (Shallow Well Pump)	99232	99232	99232	n/a	n/a	n/a
9	Ejector Gasket	n/a	n/a	n/a	99233	99233	99233
10	Venturi	99227	99227	99227	99234	99234	99234
11	Ejector Body	n/a	n/a	n/a	99236	99236	99236

*If motor fails, replace entire pump.

Troubleshooting

PROBLEM	POSSIBLE CAUSES	HOW TO CORRECT
If the pump does not start or run	Pump is not plugged in, switch/breaker is off	Plug pump in or turn on switch/breaker
	Check for blown fuses or tripped circuit breakers or tripped GFCI outlets	Replace fuse, reset breaker, reset GFCI
	Wire connections are loose or wired incorrectly	Tighten connections or re-wire following wiring diagram on page 9
	Contacts on pressure switch are dirty or worn	Clean or replace pressure switch
Motor runs hot and thermal overload protector turns pump off	Voltage is too low	Use heavier gauge wire
	Motor is not properly vented	Make sure there is adequate room for air to circulate around the pump
If the pump runs but moves little or no water	Loss of prime	Re-prime if necessary. See page 10
	Air lock in suction line	Make sure horizontal piping between the pump and the well pitches upward towards the pump. Otherwise an airlock may form
	Leak in suction line	Check all connections for leaks. Make sure all connections are air tight.
	Discharge or suction pipes may be clogged or corroded	Remove clog or replace pipes if necessary
	Distance from the pump to the water is greater than 25 feet	Change to a deep well application
	Intake screen/foot valve is obstructed	Clean or replace if necessary
	Foot valve or check valve is stuck in the closed position	Inspect, repair or replace if necessary
	Foot valve or check valve is installed backwards	Make sure valve is installed in the correct direction of flow
	Worn, damaged or clogged pump parts (Injector, impeller, diffuser, seal, etc.)	Inspect for wear, damage or clog and clean or replace if necessary
	Foot valve is buried in sand or mud	Raise above surface bottom
	Water level in the well is too low	Lower suction pipe or convert to deep well application
	Well is "dry" or has slow recovery	Move location of well
Pipes are frozen	Thaw pipes, heat pump house or bury pipes below frost line	
Pump starts and stops too often	Water logged tank (Standard Tank)	Drain tank and re-prime pump. The air volume control will supply the correct amount of air in the tank
	Ruptured bladder (Pre-charged Tank)	Replace bladder and/or tank
	Incorrect air pressure in tank (Pre-charged Tank)	Add or release air as needed
	Leak in pressure tank or system piping	Locate and repair leak
	Pressure switch is not properly adjusted	Adjust settings by following instructions under the pressure switch cap
Pump does not shut off	Incorrect pressure switch setting	Lower "cut off" setting. Follow instructions under pressure switch cap
	Bad pressure switch. Contacts stuck in closed position	Replace switch
	Pressure switch tubing clogged	Blow debris from tubing or replace

LIMITED WARRANTY - RESIDENTIAL JET PUMPS:

Manufacturer warrants this product, to the original purchaser, for the initial residence in which it is installed (upon verification that it is installed correctly) to be free from defects in materials and or workmanship for a period of 1 YEAR from the date of purchase. The motor is warranted to be free from defects in materials and or workmanship for a period of 3 YEARS from the date of purchase. During the time period and subject to the terms and conditions, Manufacturer will repair or replace to the original user or consumer any portion of this product which proves to be defective due to materials or workmanship. At all times Manufacturer shall have and possess the sole right and option to determine whether to repair or replace defective equipment, parts, or components. Manufacturer has the option to inspect any product returned under warranty to confirm that the warranty applies before repair or replacement under warranty is approved. This warranty sets forth Manufacturer sole obligation and purchaser's exclusive remedy for defective product. Return defective product to the place of purchase or postpaid to Manufacturer, Attn: Warranty Dept., 2301 Traffic Street N.E., Minneapolis, MN 55413 for warranty consideration.

WARRANTY PERIOD - PRODUCTS:

If, within the duration of product use by the original user, this product proves to be defective due to materials or workmanship, the product shall be repaired or replaced at Manufacturer option, subject to the terms and conditions set forth in this warranty statement. Proof of purchase is required for warranty consideration. In the absence of suitable proof of the purchase date, the effective period of this warranty is 12 months from the product's date of manufacture.

LABOR, ETC. COSTS:

Manufacturer shall IN NO EVENT be responsible or liable for the cost of field labor or other charges incurred by any customer in removing and/or affixing any product, part, or component thereof.

PRODUCT IMPROVEMENTS:

Manufacturer reserves the right to change or improve its products or any portions thereof without being obligated to provide such a change or improvement for units sold and/or shipped prior to such change or improvement.

GENERAL TERMS AND CONDITIONS:

This warranty shall not apply to damage due to acts of God, normal wear and tear, normal maintenance services and the parts used in connection with such service, lightning or conditions beyond the control of Manufacturer, nor shall it apply to products which, in the sole judgment of Manufacturer, have been subject to negligence, abuse, accident, misapplication, tampering, alteration; nor due to improper installation, operation, maintenance or storage; nor to excess of recommended maximums as set forth in the instructions. Warranty will be VOID if any of the following conditions are found:

1. Product is used for purposes other than those for which it was designed and manufactured
2. Product not installed in accordance with applicable codes, ordinances, and good trade practices
3. Product connected to voltage other than indicated on nameplate
4. Pump exposed to but not limited to the following: sand, gravel, cement, grease, plaster, mud, tar, oil, gasoline, solvents or other abrasive or corrosive substances
5. Pump has been used for pumping liquids above 120°F
6. Pump allowed to operate dry (liquid supply cut off)

DISCLAIMER:

Any oral statements about the product made by the seller, Manufacturer, the representatives, or any other parties do not constitute warranties, shall not be relied upon by the user, and are not part of the contract for sale. Seller's and Manufacturer only obligation, and buyer's only remedy, shall be the replacement and/or repair by Manufacturer of the product as described above. NEITHER SELLER NOR MANUFACTURER SHALL BE LIABLE FOR ANY INJURY, LOSS OR DAMAGE, DIRECT, INCIDENTAL OR CONSEQUENTIAL (INCLUDING, BUT NOT LIMITED TO, INCIDENTAL OR CONSEQUENTIAL DAMAGES FOR LOST PROFITS, LOST SALES, INJURY TO PERSON OR PROPERTY, OR ANY OTHER INCIDENTAL OR CONSEQUENTIAL LOSS), ARISING OUT OF THE USE OR THE INABILITY TO USE THE PRODUCT, AND THE USER AGREES THAT NO OTHER REMEDY SHALL BE AVAILABLE TO IT. Before using, the user shall determine the suitability of the product for his/her intended use, and user assumes all risk and liability whatsoever in connection therewith.

THE WARRANTY AND REMEDY DESCRIBED IN THIS LIMITED WARRANTY IS AN EXCLUSIVE WARRANTY AND REMEDY AND IS IN LIEU OF ANY OTHER WARRANTY OR REMEDY, EXPRESSED OR IMPLIED, WHICH OTHER WARRANTIES AND REMEDIES ARE HEREBY EXPRESSLY EXCLUDED, INCLUDING BUT NOT LIMITED TO ANY IMPLIED WARRANTY OF MERCHANTABILITY OR FITNESS FOR A PARTICULAR PURPOSE, TO THE EXTENT EITHER APPLIES TO A PRODUCT SHALL BE LIMITED IN DURATION TO THE PERIODS OF THE EXPRESSED WARRANTIES GIVEN ABOVE.

Some states and countries do not allow the exclusion or limitations on how long an implied warranty lasts or the exclusion or limitation of incidental or consequential damages, so the above exclusion or limitations may not apply to you. This warranty gives you specific legal rights, and you may also have other rights which vary from state to state.

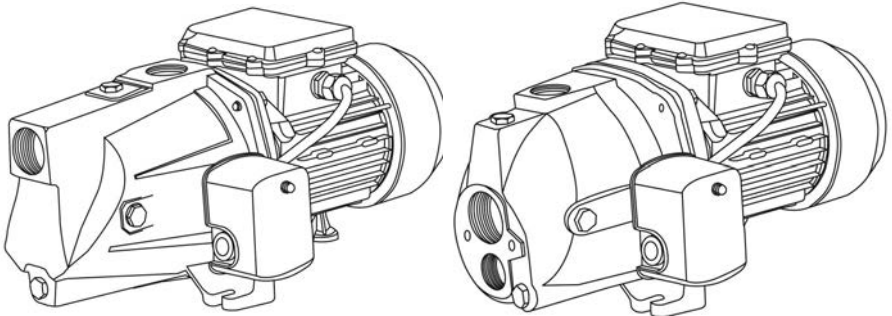
**Effective July 1, 2023, due to an update in California law, the start date for product warranties will now be aligned with the date of delivery of the product. This change is for all Mainline products purchased on or after July 1, 2023 by California consumers. (California Legislative Information AB-2912)*



GUIDE DU PROPRIÉTAIRE

**INSTALLATION ET DIRECTIVES
DE FONCTIONNEMENT POUR :**

**POMPES DE PUIITS DE SURFACE ET
POMPES À JET CONVERTIBLE
MLP74505, MLP74705, MLP74105,
MLP74515, MLP74715, MLP74115**



Directives relatives à la sécurité

Lire attentivement et comprendre et respecter toutes les directives relatives à la sécurité qui se trouvent dans ce manuel.



Voici un symbole d'alerte de sécurité. Si vous voyez ce symbole, cherchez l'un des mots signalétiques suivants.

DANGER

Indique une situation dangereuse qui, si elle n'est pas évitée, entraînera des blessures graves, voire la mort.

Attention

Indique une situation dangereuse qui, si elle n'est pas évitée, peut entraîner des blessures graves, voire la mort.

Avertissement

Indique une situation dangereuse qui, si elle n'est pas évitée, peut entraîner des blessures mineures ou modérées.

Renseignements relatifs à la sécurité

Lire attentivement ces avertissements. Connaître les applications et les limites de cette pompe. Tout manquement à respecter ces avertissement peut entraîner des blessures graves ou des dommages à la propriété.

DANGER

Cette pompe n'est pas submersible. Ne pas immerger son moteur dans l'eau ni l'exposer à l'eau. Une électrocution peut causer des blessures, voire la mort.

DANGER

Ne pas utiliser la pompe avec des liquides inflammables ou explosifs, comme de l'essence, du kérosène, du mazout et autres. Cela pourrait causer des blessures, voire la mort. Ne pas utiliser cette pompe dans un environnement inflammable ou explosif. Cette pompe a été conçue pour pomper de l'eau propre uniquement.

Avertissement

RISQUE DE CHOC ÉLECTRIQUE. Cette pompe n'a pas été éprouvée pour utilisation dans une piscine ou une zone marine.

DANGER

Ne pas toucher à cette pompe tout en se tenant ou en marchant sur des surfaces mouillées, ce jusqu'à ce que toutes les sources d'alimentation aient été coupées. Ne pas toucher un moteur en fonctionnement. Laisser le moteur refroidir avant d'exécuter un entretien. Tout manquement à respecter cet avertissement peut résulter en électrocution.

Caractéristiques techniques

Exigences de circuit15 A

Roulements du moteurRoulements à billes à lubrification permanente

Modèles	HP	Volts	Intensité	Hertz	Commutateur à pression	Aspiration/ Décharge	Boîtier	Temp. max liquide
MLP74505	1/2	115/230	6,4/3,2	60	20/40	3,2 cm / 2,5 cm (1-1/4 po / 1 po)	Fonte	49 °C (120 °F)
MLP74705	3/4	115/230	7,8/3,9	60	20/40	3,2 cm / 2,5 cm (1-1/4 po / 1 po)	Fonte	49 °C (120 °F)
MLP74105	1	115/230	10/5	60	20/40	3,2 cm / 2,5 cm (1-1/4 po / 1 po)	Fonte	49 °C (120 °F)
MLP74515	1/2	115/230	6,4/3,2	60	20/40	3,2 cm / 2,5 cm (1-1/4 po / 1 po)	Fonte	49 °C (120 °F)
MLP74715	3/4	115/230	7,8/3,9	60	20/40	3,2 cm / 2,5 cm (1-1/4 po / 1 po)	Fonte	49 °C (120 °F)
MLP74115	1	115/230	10/5	60	20/40	3,2 cm / 2,5 cm (1-1/4 po / 1 po)	Fonte	49 °C (120 °F)

Installation



Débranchez toujours de la source d'alimentation avant de tenter d'installer, d'entretenir ou de réparer. Si la source d'alimentation n'est pas visible, verrouiller et étiqueter en position d'arrêt pour éviter toute mise sous tension imprévue. Tout manquement à cet effet peut résulter en électrocution fatale. L'installation du câblage devrait être faite par un électricien qualifié.

Installation de la pompe de puits de surface

INSTALLER/REPLACER UNE VIEILLE POMPE

Vidanger et retirer les tuyaux de l'ancienne pompe. Vérifier que les tuyaux sont exempts de rouille, de calcaire, etc. Les remplacer au besoin. Votre pompe à jet est prête à installer pour les applications de puits de surface.

Installer la nouvelle pompe en assurant que tous les raccords de tuyau sont étanches. Appliquer un composé d'étanchéité à tuyau ou du ruban Téflon sur tous les raccords tuyau. Assurer que les tuyaux sont bien soutenus. **REMARQUE : Si le tuyau d'aspiration peut aspirer de l'air, la pompe ne pourra pas tirer de l'eau de la source.**

INSTALLATION À POINTE DE PUIITS D'ENTRAÎNEMENT

1. Entraîner la pointe à l'aide des raccords d'entraînement et du couvercle d'entraînement. Ne pas utiliser de raccords de tuyau réguliers étant donné que les filets pourraient se détériorer à cause de la force nécessaire pour entraîner la pointe.
2. Placer la pompe aussi près que possible de la source d'eau afin de réduire au minimum le soulèvement d'aspiration.
3. Installer un raccord en T d'amorçage avec un bouchon sur le tuyau d'aspiration de la source d'eau, comme montré dans la Figure 1. Un clapet de non retour devrait également être installé sur la conduite d'aspiration se rendant vers la pompe. Installer un raccord union ou autre qui permettra la séparation aisée de la pompe de sa tuyauterie pour faciliter l'entretien. Assurer que du ruban téflon ou du composé d'étanchéité de tuyau sont bien utilisés sur tous les raccords.

4. Faire passer le tuyau du raccord en T du carter de la pompe au tuyau d'eau résidentiel.

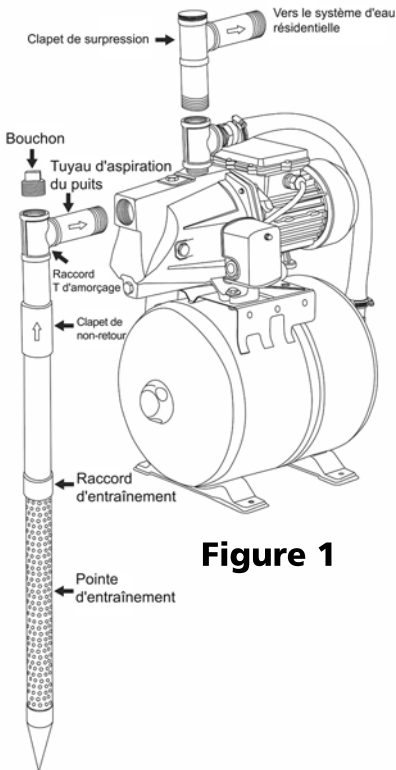


Figure 1

Installation de la pompe de puits de surface

INSTALLATION À POINTE DE Puits TUBÉ

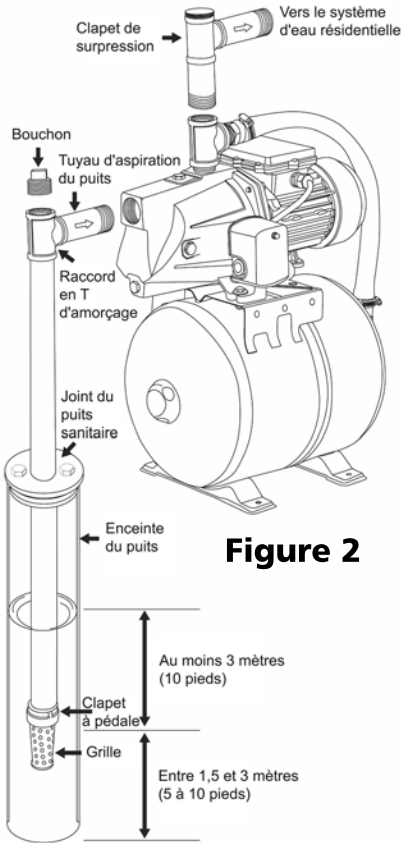


Figure 2

1. Poser un clapet à pédale avec une grille sur la première section du tuyau et abaissez-la dans le puits.
2. Ajoutez suffisamment de tuyau pour que le clapet à pédale se trouve à environ 3 mètres (10 pieds) sous le niveau de l'eau. Vérifier que le clapet à pédale ne se trouve pas au fond du puits.
3. Installer un raccord en T d'amorçage avec un bouchon sur le tuyau d'aspiration de la source d'eau dans la Figure 2. Installer un raccord union afin de permettre la séparation aisée de la pompe de sa tuyauterie pour faciliter l'entretien. **Assurer que du ruban téflon ou du composé d'étanchéité de tuyau sont bien utilisés sur tous les raccords. Le diamètre du tuyau d'aspiration devrait d'être au moins 3,2 cm (1 ¼ po)**
4. Installer un joint de puits afin d'éviter que des débris ou autres contaminants ne pénètrent dans le puits.
5. Faire passer le tuyau du raccord en T du carter de la pompe au tuyau d'eau résidentiel.

Installation d'une pompe convertible (puits de surface)

INSTALLATION À POINTE DE Puits D'ENTRAÎNEMENT

Figure 3

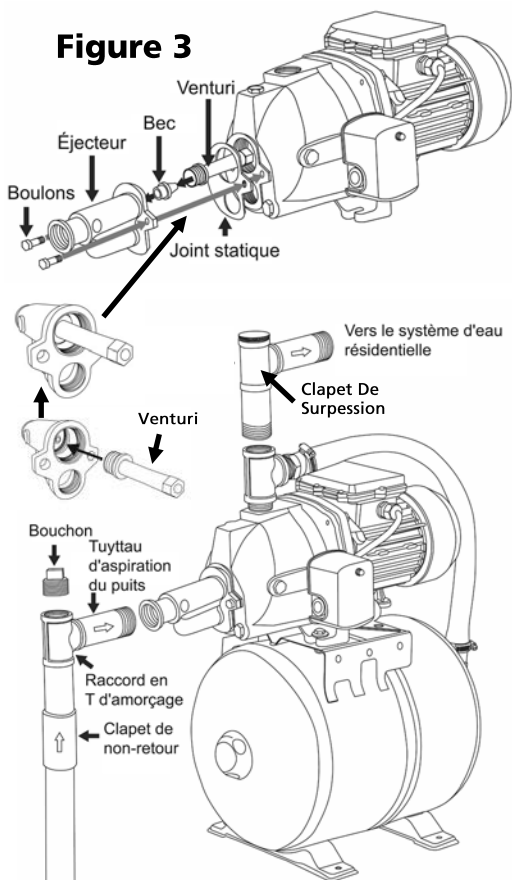
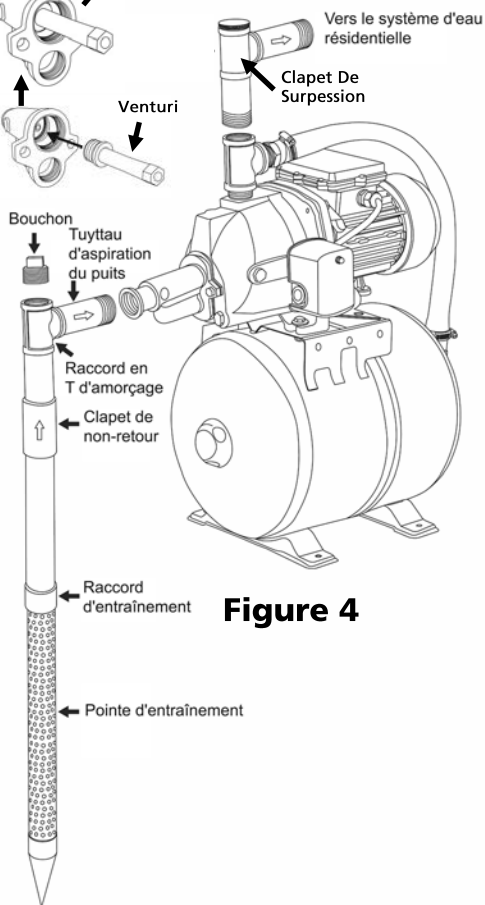


Figure 4



1. Installer la trousse d'éjecteur sur le carter de la pompe, comme montré dans la Figure 3.
2. Entraîner la pointe à l'aide des raccords d'entraînement et du couvercle d'entraînement. Ne pas utiliser de raccords de tuyau réguliers étant donné que les filets pourraient se détériorer à cause de la force nécessaire pour entraîner la pointe.
3. Placer la pompe aussi près que possible de la source d'eau afin de réduire au minimum le soulèvement d'aspiration. **REMARQUE** : La présence de tuyaux longs et de plusieurs raccords réduira le débit d'eau. Utiliser le tuyau le plus court et le moins de raccords possible. La conduite d'aspiration devrait être au moins aussi large que le port d'aspiration, soit de 2,5 cm (1 po) dans ce cas.
4. Installer un raccord en T d'amorçage avec un bouchon sur le tuyau d'aspiration de la source d'eau dans la Figure 4. Un clapet de non retour intégré devrait également être installé sur la conduite d'aspiration se rendant vers la pompe. Installer un raccord union ou autre qui permettra la séparation aisée de la pompe de sa tuyauterie pour faciliter l'entretien. Assurer que du ruban téflon ou du composé

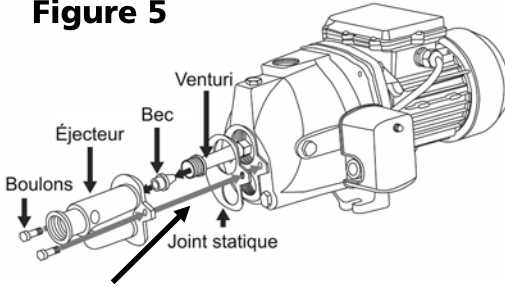
d'étanchéité de tuyau sont bien utilisés sur tous les raccords.

5. Faire passer le tuyau du raccord en T du carter de la pompe au tuyau d'eau résidentiel.

Installation d'une pompe convertible (puits de surface)

PUITS TUBÉ DE 5 CM (2 PO)
OU PLUS

Figure 5



1. Installer la trousse d'éjecteur sur le carter de la pompe, comme montré dans la Figure 5.

2. Entraîner la pointe à l'aide des raccords d'entraînement et du couvercle d'entraînement. Ne pas utiliser de raccords de tuyau réguliers étant donné que les filets pourraient se détériorer à cause de la force nécessaire pour entraîner la pointe.

3. Placer la pompe aussi près que possible de la source d'eau afin de réduire au minimum le soulèvement d'aspiration. REMARQUE : La présence de tuyaux longs et de plusieurs raccords réduira le débit d'eau. Utiliser le tuyau le plus court et le moins de raccords possible. La conduite d'aspiration devrait être au moins aussi large que le port d'aspiration, soit de 2,5 cm (1 po) dans ce cas.

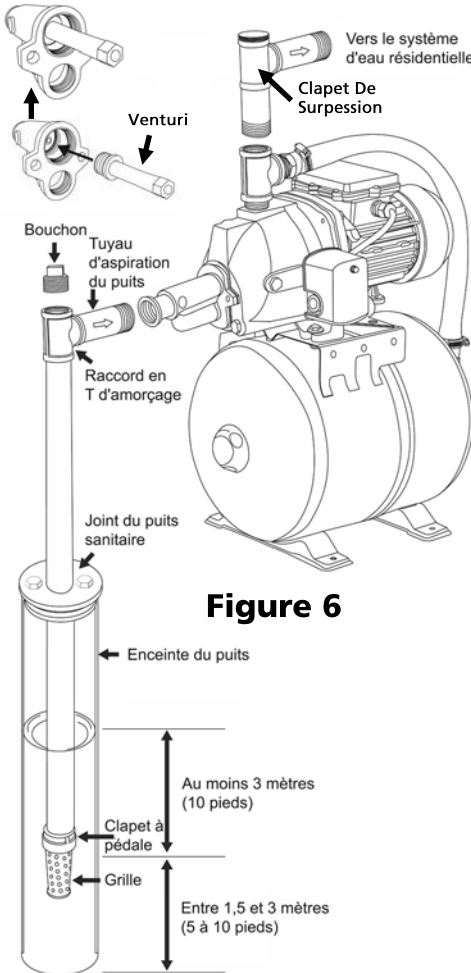


Figure 6

4. Installer un raccord en T d'amorçage avec un bouchon sur le tuyau d'aspiration de la source d'eau dans la Figure 6. Un clapet de non retour intégré devrait également être installé sur la conduite d'aspiration se rendant vers la pompe. Installer un raccord union ou autre qui permettra la séparation aisée de la pompe de sa tuyauterie pour faciliter l'entretien. Assurer que du ruban téflon ou du composé d'étanchéité de tuyau sont bien utilisés sur tous les raccords.

5. Faire passer le tuyau du raccord en T du carter de la pompe au tuyau d'eau résidentiel.

Installation d'une pompe convertible (puits profond)

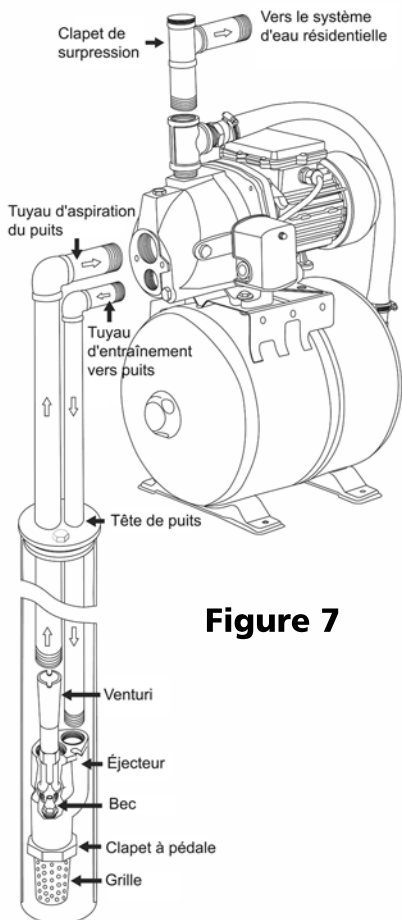


Figure 7

PUITS TUBÉ DE 10 CM (4 PO) OU PLUS

1. Poser un clapet à pédale avec une grille au bas de l'éjecteur.
2. Brancher le tuyau d'entraînement et le tuyau d'aspiration avec l'éjecteur de puits profond dans la Figure 7.
3. Ajoutez suffisamment de tuyau pour que le clapet à pédale se trouve à environ 3 mètres (10 pieds) sous le niveau de l'eau. Vérifier que le clapet à pédale ne se trouve pas au fond du puits.
4. Installer un joint de puits afin d'éviter que des débris ou autres contaminants ne pénètrent dans le puits.
5. Faire passer le tuyau du raccord en T du carter de la pompe au tuyau d'eau résidentiel.

Réglage du commutateur à pression

1. Le commutateur à pression est pré-réglé en usine à 1,4/2,8 bar (20/40 lb/po2) (Figure 8).
2. Pour augmenter la pression d'activation/désactivation, tourner l'écrou no 1 en sens horaire.
3. Pour augmenter la pression de désactivation uniquement, tourner l'écrou no 2 en sens horaire.

REMARQUE : Faire de petits ajustements et en faire l'essai à chaque fois jusqu'à obtenir les niveaux désirés.

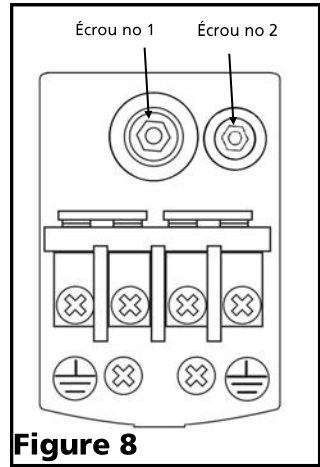


Figure 8

Branchements électriques

⚠ Attention Risque d'incendie. Ne jamais brancher une conduite de 230 volts à un moteur de 115 volts.

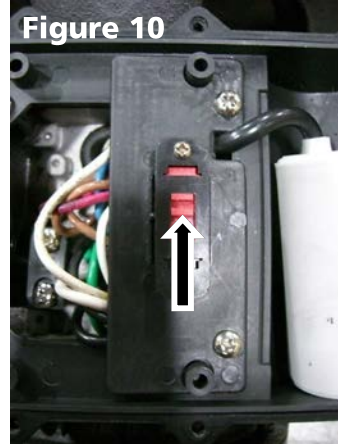
Vérifier le réglage du commutateur de tension

COUPER L'ALIMENTATION VERS LA POMPE!!

REMARQUE : Le commutateur de tension est réglé d'usine à 115 volts. Si vous avez un service de 115 volts, ne changez pas le réglage du commutateur de tension (Figure 9 & 10).



Le commutateur de tension est réglé d'usine à 115 volts.



Pour passer au fonctionnement à 230 volts, faire glisser le commutateur de tension à la position « 230 » volts

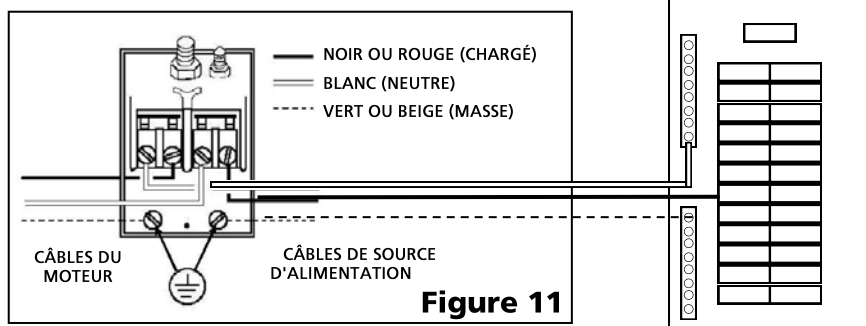
Utiliser tableau ci-dessous pour déterminer quel calibre de fil utiliser pour l'installation.

HP	Tension (volts)	Intensité (A)	Distance en mètres (pieds) entre le moteur et l'alimentation électrique			
			0-30 m (0-100 pi)	31-61 m (101-200 pi)	62-91 m (201-300 pi)	92-122 m (301-400 pi)
1/2	115/230	6,4/3,2	4,3 (14)	3,7 (12)	3,0 (10)	2,4 (8)
3/4	115/230	7,8/3,9	4,3 (14)	3,7 (12)	3,0 (10)	2,4 (8)
1	115/230	10/5	4,3 (14)	3,7 (12)	3,0 (10)	2,4 (8)

Branchements électriques (suite)

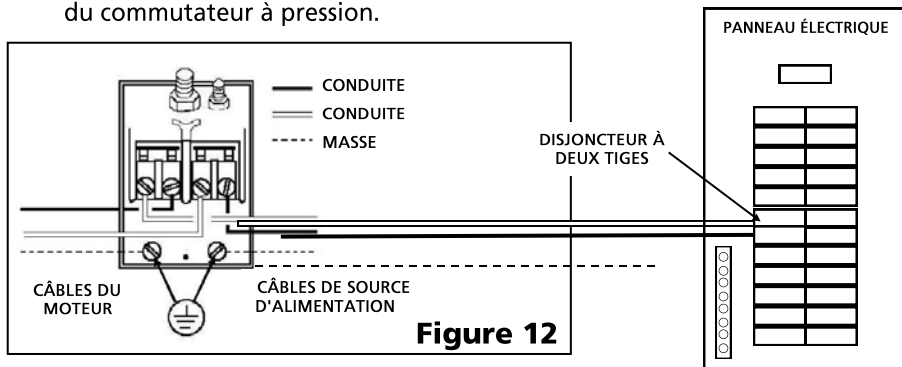
BRANCHEMENT DE 115 VOLTS

1. Brancher le câble de mise à la terre de la source d'alimentation jusqu'à la borne de mise à la terre du commutateur de pression. Vérifier que la masse de la source d'alimentation est bien branchée à une borne mise à la masse dans le panneau électrique, sur un tuyau de métal souterrain, sur une enceinte métallique de puits ou sur une tige de mise à la masse.
2. Brancher un fil chargé (noir ou rouge) de la source d'alimentation à une des bornes vissées du commutateur à pression. Peu importe lequel. Suivre le schéma de câblage de la Figure 11.
3. Brancher le câble neutre (blanc) de la source d'alimentation à l'autre borne vissée du commutateur à pression.



BRANCHEMENT DE 230 VOLTS

1. Brancher le câble de mise à la terre de la source d'alimentation jusqu'à la borne de mise à la terre du commutateur de pression. Vérifier que la masse de la source d'alimentation est bien branchée à une borne mise à la masse dans le panneau électrique, sur un tuyau de métal souterrain, sur une enceinte métallique de puits ou sur une tige de mise à la masse.
2. Brancher un fil chargé (noir ou rouge) de la source d'alimentation à une des bornes vissées du commutateur à pression. Peu importe lequel. Suivre le schéma de câblage de la Figure 12.
3. Brancher l'autre câble chargé de la source d'alimentation à l'autre borne vissée du commutateur à pression.



⚠ Avertissement

Ne faites jamais fonctionner votre pompe à sec. Des dommages aux pièces internes de la pompe pourraient résulter et annuler la garantie.

⚠ Avertissement

Ne jamais faire fonctionner la pompe avec le côté refoulement de la pompe fermé. L'eau à l'intérieur de la pompe peut bouillir et atteindre des pressions dangereuses pouvant entraîner de graves brûlures si elle est manipulée.

Comment amorcer votre pompe à jet

1. Retirez le bouchon supérieur de l'orifice de refoulement de la pompe (puits peu profond) ou le régulateur manuel (puits profond) et remplissez la pompe et toute la tuyauterie d'eau. Utilisez un entonnoir si nécessaire. Si vous avez installé un té d'amorçage sur le côté aspiration, retirez le bouchon et remplissez toute la tuyauterie.
2. Remplacer tous les bouchons en s'assurant que tous les joints sont étanches à l'air et à l'eau. Utilisez du ruban Téflon ou un composé à joints pour tuyaux.
3. Ouvrez un robinet pour évacuer le système d'air.
4. Allumez la pompe. L'eau devrait être pompée dans 1-2 minutes. S'il n'y a pas d'eau pompée après 2 minutes, éteignez la pompe et répétez les étapes ci-dessus. REMARQUE: Si vous pompez à partir d'une profondeur de 20 pieds ou plus, plusieurs tentatives peuvent être nécessaires pour amorcer votre pompe.
5. Une fois que la pompe est en mouvement, laissez le système fonctionner pendant quelques minutes pour évacuer tout l'air des tuyaux.
6. Fermez le robinet et laissez la pression s'accumuler dans le réservoir. Une fois que la pression atteint le réglage de coupure du pressostat, la pompe s'arrête. REMARQUE: Vous pouvez installer un manomètre (non inclus) pour ajuster la pression afin de répondre à vos besoins.
7. Testez le système et le pressostat en ouvrant un robinet pour laisser l'eau s'écouler du réservoir. La pompe devrait démarrer une fois que la pression atteint 20 PSI, ± 2 PSI et arrêter à la fois la pression atteint 40 PSI, ± 2 PSI.

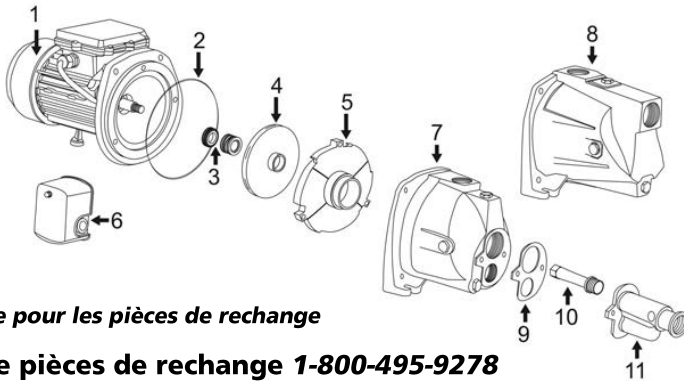


Figure pour les pièces de rechange

Appel de pièces de rechange 1-800-495-9278

Ref#	Description	MLP74505	MLP74705	MLP74105	MLP74515	MLP74715	MLP74115
1	Moteur	*	*	*	*	*	*
2	Joint torique	99226	99226	99226	99226	99226	99226
3	Joint d'arbre	99225	99225	99225	99225	99225	99225
4	Agitateur	99228	99224	99224	99228	99224	99224
5	Diffuser	99229	99229	99229	99235	99235	99235
6	Commutateur à pression	99230	99230	99230	99230	99230	99230
7	Carter de pompe (pompe convertible)	n/a	n/a	n/a	99231	99231	99231
8	Carter de pompe (pompe de puits de surface)	99232	99232	99232	n/a	n/a	n/a
9	Joint éjecteur	n/a	n/a	n/a	99233	99233	99233
10	Venturi	99227	99227	99227	99234	99234	99234
11	Corps éjecteur	n/a	n/a	n/a	99236	99236	99236

*En cas de défaillance du moteur, remplacer toute la pompe.

Dépannage

PROBLÈME	CAUSES POSSIBLES	COMMENT RÉPARER
Si la pompe ne démarre ou ne fonctionne pas	La pompe n'est pas branchée, le commutateur/disjoncteur est en position d'arrêt	Brancher la pompe ou mettre le commutateur/disjoncteur en position de marche
	Vérifier pour détecter tout fusible sauté ou disjoncteur de circuit ou prise avec GFCI déclenché	Remplacez le fusible, réinitialisez le disjoncteur, réinitialisez le GFCI
	Les branchements de fil sont lâches ou erronés	Serrer les branchements ou refaire le câblage en suivant le schéma se trouvant à la page 21
	Les contacts du commutateur à pression sont sales ou usés	Nettoyer ou remplacer le commutateur à pression
Le moteur chauffe et la protection contre les surchauffes du moteur arrête la pompe	La tension est trop basse	Utiliser un fil de plus gros calibre
	Le moteur n'est pas bien aéré	Assurer qu'il y a suffisamment d'espace pour la circulation de l'air autour de la pompe
Si la pompe fonctionne mais ne déplace que peu ou pas d'eau	Perte d'amorçage	Effectuer l'amorçage à nouveau au besoin. Se reporter à la page 22
	Airlock dans la conduite d'aspiration	Vérifier que le tuyau horizontal entre la pompe et le puits s'incline vers le haut vers la pompe. Cela peut autrement conduire à la formation d'un airlock
	Fuite dans la conduite d'aspiration	Vérifier tous les branchements pour assurer qu'il n'y a pas de fuites. Vérifier que tous les branchements sont bien étanches.
	Les conduites de décharge/aspiration peuvent être bouchés ou corrodés	Éliminer le bouchon ou remplacer le tuyau au besoin
	La distance entre la pompe et l'eau est supérieure à 7,6 m (25 pieds)	Passer à une application de puits profond
	Grille d'entrée/clapet à pédale obstrué	Nettoyer ou remplacer au besoin
	Clapet à pédale ou clapet de non retour coincé en position fermée	Inspecter puis réparer ou remplacer au besoin
	Clapet à pédale ou clapet de non retour installé à l'envers	Vérifier que le clapet de non retour est bien orienté
	Pièces de pompe usées, endommagées ou bouchées (injecteur, agitateur, diffuseur, joint, etc.)	Inspecter pour détecter toute trace d'usure, tout dommage ou tout bouchon puis nettoyer ou remplacer au besoin
	Clapet à pédale enfoui dans le sable ou la boue	Soulever au-dessus du fond
	Le niveau d'eau dans le puits est trop bas	Abaisser le tuyau d'aspiration ou passer à une application de puits profond
	Le puits est « sec » ou a une vitesse de récupération basse	Déplacer le puits
Les tuyaux sont gelés	Faire dégeler les tuyaux, chauffer le carter de la pompe ou enfouir les tuyaux sous la ligne de gel	
La pompe démarre et arrête trop souvent	Réservoir noyé (réservoir régulier)	Vidanger le réservoir et ré-amorcer la pompe. Le contrôle de volume d'air assurera le bon volume d'air dans le réservoir
	Vessie rompue (réservoir préchargé)	Remplacer la vessie ou le réservoir
	Pression d'air incorrecte dans le réservoir (réservoir préchargé)	Ajouter ou libérer de l'air au besoin
	Fuite dans le réservoir de pression ou la tuyauterie du système	Localiser et réparer la fuite
	Le commutateur à pression est mal ajusté	Ajuster les paramètres en suivant les directives indiquées sous le couvercle du commutateur à pression
La pompe ne s'arrête pas	Réglage incorrect du commutateur à pression	Abaisser le réglage de « arrêt ». Suivre les directives indiquées sous le couvercle du commutateur à pression
	Commutateur à pression défectueux. Contacts coincés en position fermée	Remplacer le commutateur
	Tubulure du commutateur à pression bouchée	Éliminer les débris de la tubulure ou la remplacer

GARANTIE LIMITÉE - POMPES À PUISARD RÉSIDENTIELLES :

Fabricante garantie que les produits dont il est question dans cette garantie sont exempts de défauts de matériel et de main d'œuvre pendant une année suivant la date d'achat. Pendant la période, conformément aux modalités, Fabricante réparera ou remplacera, au profit de l'utilisateur ou du consommateur original, toute portion de ce produit affublée d'un défaut de matériel ou de main d'œuvre. En tout temps Fabricante pourra, à son seul droit et à sa seule discrétion, décider de réparer ou remplacer l'équipement, les pièces ou les composantes défectueux. Fabricante se réserve le droit d'inspecter tout produit renvoyé en vertu de la garantie afin de confirmer que la garantie est applicable avant de procéder à la réparation ou au remplacement du produit pour lequel la garantie est approuvée. Cette garantie met en évidence la seule obligation de Fabricante de même que le seul recours à la portée de l'acheteur en cas de produit défectueux. Prière de renvoyer tout produit défectueux au lieu d'achat ou le faire parvenir à Fabricante par expédition à port post-payé à l'attention de : Warranty Dept., 2301 Traffic Street N.E., Minneapolis, MN 55413 pour que la garantie soit considérée.

PÉRIODE DE GARANTIE - PRODUITS :

S'il s'avère que, pendant la durée d'utilisation du produit par l'utilisateur original, le produit présente un défaut de matériel ou de main d'œuvre, le produit sera réparé ou remplacé, à la seule discrétion de Fabricante, conformément aux modalités établies dans cet énoncé de garantie. Pour que la garantie soit considérée, il est nécessaire de fournir une preuve d'achat. En absence d'une preuve d'achat appropriée confirmant la date, la période de garantie utilisée pour le produit sera de 12 mois suivant la date de fabrication du produit.

COÛTS DE MAIN D'OEUVRE, ETC. :

Fabricante ne pourra EN AUCUN CAS être tenu responsable pour les coûts de main d'œuvre ou autres frais encourus par tout client qui doit enlever ou apposer tout produit ou pièce ou composante de celui-ci.

AMÉLIORATIONS DU PRODUIT :

Fabricante se réserve le droit de modifier ou d'améliorer ses produits ou toute partie de ceux-ci sans devoir fournir une telle modification ou amélioration aux unités vendues ou expédiées avant la date de mise en œuvre de ces modifications ou améliorations.

MODALITÉS :

Cette garantie ne s'applique aucunement aux dommages causés par des désastres naturels, l'usure normale, les services d'entretien normaux de même que les pièces utilisées en lien avec de tels services, la foudre ou autres conditions hors du contrôle raisonnable de Fabricante ni ne s'applique aux produits qui, à la seule discrétion de Fabricante, sont jugés avoir été soumis à de la négligence, un abus, un accident, une mauvaise utilisation, des modifications, des altérations ou une installation, un fonctionnement, un entretien ou un stockage inappropriés et ne s'applique pas non plus si l'appareil est utilisé dans des conditions excédant les maximums recommandés tels qu'indiqués dans les directives. La garantie sera NULLE si l'une des conditions suivantes survient :

1. Le produit est utilisé à des fins autres que celles pour lesquelles il a été conçu et fabriqué
2. Le produit n'a pas été installé conformément aux codes, ordonnances et bonnes pratiques de métier applicables
3. Le produit est relié à une source d'alimentation dont la tension diffère de ce que est indiqué sur la plaque nominative
4. La pompe est exposée aux éléments suivants, qui est une liste non exhaustive: sable, gravier, ciment, graisse, plâtre, boue, goudron, pétrole, essence, solvants ou autres substances corrosives ou abrasives
5. La pompe a été utilisée afin de pomper des liquides dont la température excède 49°C (120°F)
6. La pompe a fonctionné à sec (alimentation de liquide coupée)

RENONCIATION :

Toute déclaration orale faite par le vendeur, Fabricante, ses représentants ou toute autre partie concernant le produit ne constitue pas une garantie et ne pourra être mise à profit par l'utilisateur et ne fait pas partie du contrat de vente. La seule obligation du vendeur et de Fabricante, ainsi que le seul recours de l'acheteur, consiste à remplacer ou réparer le produit aux frais de Fabricante, comme décrit ci-dessus. NI LE VENDEUR NI FABRICANTE NE POURRA ÊTRE TENU RESPONSABLE EN CAS DE TOUTE BLESSURE, PERTE OU DOMMAGE DIRECT, INDIRECT OU CONSÉCUTIF (INCLUANT, SANS S'Y LIMITER, LES DOMMAGES ACCIDENTELS OU CONSÉCUTIFS POUR PERTE DE PROFIT OU DE VENTES, BLESSURES OU DOMMAGES À LA PROPRIÉTÉ OU TOUTE AUTRE PERTE ACCIDENTELLE OU CONSÉCUTIVE) SURVENANT EN LIEN AVEC L'UTILISATION OU L'INCAPACITÉ À UTILISER LE PRODUIT; L'UTILISATEUR ACCEPTE QU'AUCCUN AUTRE RECOURS NE SERA DISPONIBLE. Avant d'utiliser le produit, l'utilisateur doit déterminer l'aptitude du produit à convenir à l'utilisation désirée et l'utilisateur assume tous les risques et les responsabilités associés à cette utilisation.

LA GARANTIE DE MÊME QUE LE RECOURS DONT IL EST QUESTION DANS CETTE GARANTIE LIMITÉE REPRÉSENTENT UNE GARANTIE ET UN RECOURS EXCLUSIF, LE TOUT AYANT PRÉSENCE SUR TOUTE AUTRE GARANTIE OU RECOURS, EXPRESSE OU IMPLICITE, DE QUOI TOUTE AUTRE GARANTIE OU RECOURS SONT EN VERTU DE LA PRÉSENTE EXPRESSÉMENT EXCLUS, INCLUANT, SANS S'Y LIMITER, TOUTE GARANTIE DE COMMERCIALITÉ OU D'ADAPTATION À UNE FIN PARTICULIÈRE, DANS LA MESURE OÙ LE TOUT S'APPLIQUE À UN PRODUIT, LIMITÉ EN DURÉE, PENDANT LES PÉRIODES INDIQUÉES DANS LES GARANTIES SUSMENTIONNÉES.

Certains états et pays ne permettent pas d'exclusions ou de limitations sur la durée d'une garantie implicite ou d'exclusions ou de limitations concernant les dommages accidentels ou consécutifs; les exclusions et limitations susmentionnées ne s'appliquent donc peut-être pas à vous. Cette garantie vous donne des droits juridiques spécifiques et vous pourriez avoir d'autres droits qui varient d'un état à l'autre.